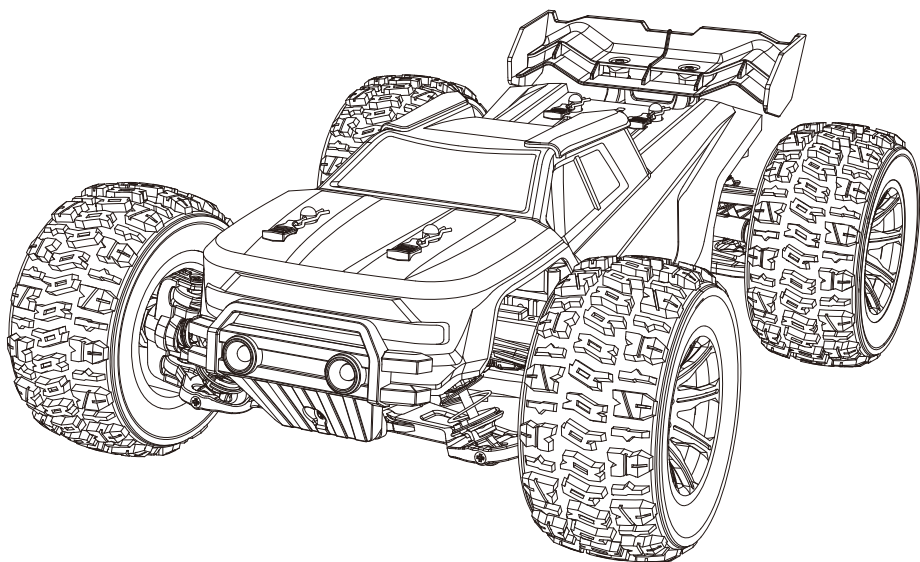


HYPER GO

1:14 RC HIGH SPEED CAR USER MANUAL



The instruction sheet for this product is just for your reference. We reserve the right to make changes or adjustments on the product without prior notification. Please refer to the official information.

Warning:

Choking hazard! This product contains small parts. NOT suitable for children under 3 years. Contains electrical components and should be kept dry at all times. Regularly check the battery charger wires, plugs and shell and other components for damage. DO NOT use if any part is damaged.

Warnings & Cautions

1. Detachable small parts should be stored safely and out of reach of children.
2. If interference is experienced, turn the model off and try it again in a different area.
3. Transmitter will not function correctly if the batteries are low. Please replace the batteries.
4. Please discard old/used batteries in a safe manner. Consider your environment!
5. Please store the remote control model in cool, dry place.
6. DO NOT expose to fire or high temperatures, do not store in moist place.
7. Once the battery get wet, wipe immediately with a soft dry cloth.
If the battery any deformation, please stop using.
8. If you don't use the model for a long time, please raise the chassis to let the wheels hang in the air.

Precautions for Battery Use

1. Transmitter uses 2x1.5V "AA" batteries.
2. Please pay attention to correct polarity when replacing batteries.
3. Rechargeable batteries should be charged under adult supervision.
4. Do not mix old and new batteries. Do not mix alkaline, standard (carbon-zinc), or rechargeable batteries.
5. After the battery is exhausted, the model should be removed.
6. Exhaust battery should be safety dispose!
7. DO NOT short circuit any terminals.
8. DO NOT attempt to recharge non rechargeable batteries.
9. Remove batteries from the model when charging.
10. DO NOT put batteries into a fire or into water.
11. The rated input voltage battery charger MUST be suitable for your mains power voltage.
12. During charging it is quite normal for the charger and batteries to heat up.
13. Do not swallow battery!
14. Store only in cool, dry and dark places and should be keep out of the children!
15. When the battery leaks the liquid and let it into you eyes, please right away rinse them and consult an ophthalmologist.

Safety Precautions

- It is a radio control model, not a toy!
- In order to enjoy running the car, you need to finish assembly before operation. Do routine maintenance work after operation. Replacement parts and option parts are available separately.
- Improper usage with Alkaline cells or rechargeable batteries may damage the electronics for the car or the radio.

In order to operate the car safely. Be sure that you have observed the following points:



Please follow the points as below in order to prevent accident from happening to the car and people.



- Be sure to read thoroughly the manual before you begin. Fresh user should seek advice from people having rich experience in order to assemble the model correctly.



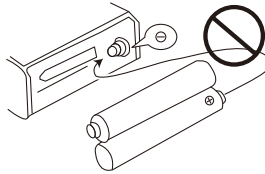
- Cutters, nippers and screwdrivers need careful handling.



- As the product contains small and sharp parts, assemble and store this product only in places out of the reach of children.




- Do not expose this model to high temperature, humidity or direct sunlight.



- Never reverse connection/ disassemble the battery. This may lead to damage and leakage.

- When the model is not in use, always turn off the receiver and transmitter. Further more, disconnect the batteries and remove them from the model and the transmitter. This may be dangerous such as overheat and leakage.

Operating Your Model Safely

 Do NOT operate the model in the following places and situations. (Non-observance may lead to accident!)

- Operate your model in spacious and safe areas! Do not operate it:
 1. On road!
 2. In places where children and many people gather.
 3. In residential districts and parks!
 4. Do not operate the model on public roads, in crowded places and near infant as it may cause accidents.
 5. Indoors and in limited space! Non-observance may result in personal injury and property damage!
- The car must stop immediately and check for the reasons when it is operating abnormal. As long as the problem is not cleared, do NOT operate it! This may lead to further trouble and unforeseen accidents!
- Always check the radio batteries!
With weak dry batteries, transmission and reception of the radio would fall off. You may lose control of your model in such condition. This may also cause serious accidents!
- Keep in mind that people around you may also operate a radio control model!
NEVER share the same frequency with somebody else at the same time! Otherwise, Radio signals will be mixed up and you will lose control to your model. This may lead to accidents.
- Do NOT put fingers or any objects inside rotating and moving parts!
- Right after use, do NOT touch the motor! Danger of burning yourself!

FCC PART 15 B Notice: CAUTION

Warning: Changes or modifications to this unit not expressly approved by the party responsible for compliance could void the user's authority to operate the equipment.

NOTE: This equipment has been tested and found to comply with the limits for a Class B digital device, pursuant to Part 15 of the FCC Rules. These limits are designed to provide reasonable protection against harmful interference in a residential installation. This equipment generates, uses and can radiate radio frequency energy and, if not installed and used in accordance with the instructions, may cause harmful interference to radio communications.

However, there is no guarantee that interference will not occur in a particular installation. If this equipment does cause harmful interference to radio or television reception, which can be determined by turning the equipment off and on, the user is encouraged to try to correct the interference by one or more of the following measures:

- Reorient or relocate the receiving antenna.
- Increase the separation between the equipment and receiver.
- Connect the equipment into an outlet on a circuit different from that to which the receiver is connected.
- Consult the dealer or an experienced radio/TV technician for help.

This device complies with Part 15 of the FCC Rules. Operation is subject to the following two conditions:

- (1) this device may not cause harmful interference, and
- (2) this device must accept any interference received, including interference that may cause undesired operation.

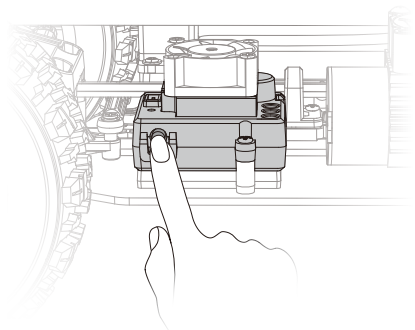
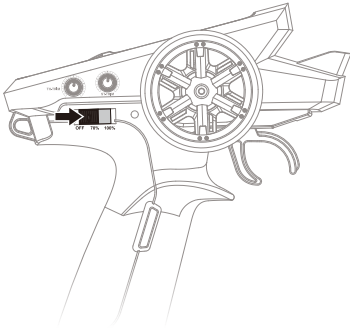
电池使用注意事项

1. 遥控器使用2节1.5V“AA”号电池；
2. 安装或更换电池时请注意极性；
3. 充电电池只能在成人监护下充电；
4. 不可混用新旧或不同型号的电池；
5. 电池电量用尽后,应从模型内取出；
6. 将耗尽电量的电池交给专门的环保部门处理！
7. 接线端不应短路；
8. 非充电电池不可充电；
9. 充电电池充电前应从模型中取出；
10. 请不要将坏的电池、电池组分解或扔到火中、水里,以免发生意外；
11. 充电器的额定输入电压必须与当地的家用电压相符；
12. 在充电过程中,充电器和电池出现微温,属于正常现象。
13. 不可吞咽电池！
14. 将电池放在凉爽、干燥避光及小孩接触不到的地方！
15. 电池漏液而且滴到眼睛里,请马上用大量的清水清洗,然后到附近的医院就医。

Power Switch 开关

1. Turn on the power switch of the transmitter, the signal indicator light of transmitter flashes.
2. Press the power button of high speed car, which is on the side of the ESC; the indicator light of high speed car flashes.
3. When the indicator light stays on, the high speed car can be operated to play.

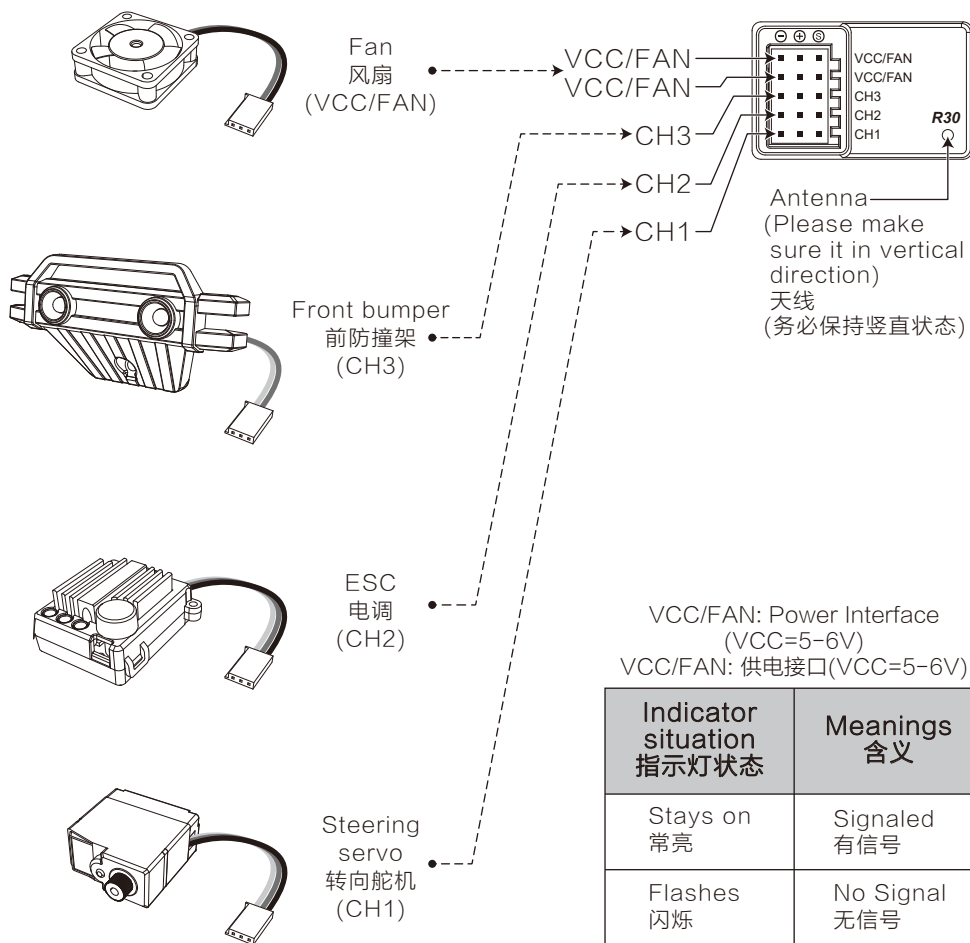
1. 打开遥控器电源开关，遥控器信号指示灯闪烁。
2. 按下高速车电调侧面的电源开关按钮，高速车指示灯闪烁。
3. 当指示灯变为常亮后，便可操控高速车。



- ⚠
- When turn on the transmitter, please DO NOT touch the throttle and steering. After turn on the transmitter's power, please operate after the indicator light of transmitter staying on.
 - Please comply the principle of “turn on the transmitter firstly, then turn on the high speed car” .
 - In the frequency matching, please make sure there is only one pair of transmitter and high speed car in matching at the same time, otherwise the frequency will match wrongly.

- 当准备开启遥控器时，请勿触动油门和转向。打开遥控器开关，遥控器指示灯点亮后才能进行操作。
- 开机时应遵循“先开启遥控器，再开启高速车”的原则。
- 在同一时刻，请确保对码的遥控器和高速车只有一对，否则会对错遥控器。

R30 Receiver 接收器

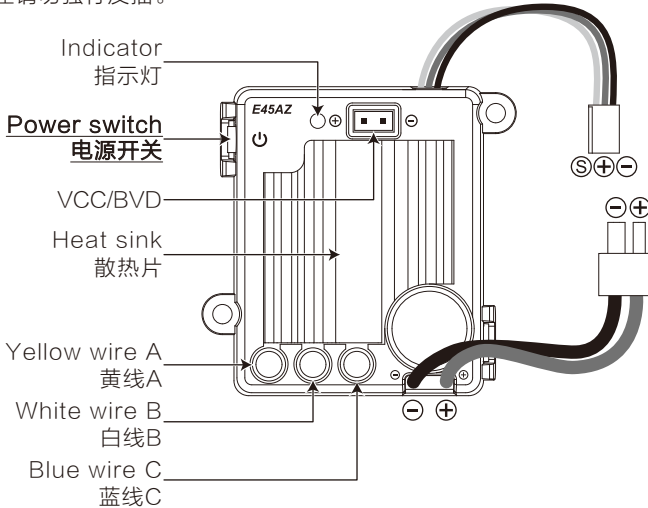


Indicator situation 指示灯状态	Meanings 含义
Stays on 常亮	Signaled 有信号
Flashes 闪烁	No Signal 无信号

⚠ Warning: Please make sure the connection is correct.
警告：请注意连接是否正确。

E45AZ Brushless ESC 电调

⚠ Please Do Not forcible/reversely insert all sockets.
所有插座请勿强行反插。



Indicator light situation 指示灯状态	Meanings 含义
Stays on 常亮	Signaled 有信号
Flash quickly 快闪	a. No signal 无信号 b. Pull the trigger 扣动扳机
Flash slowly 慢闪	Low voltage 低电压
Flash twice 闪两下	Over heat protection 过热保护
Off 熄灭	Stuck protection 堵转保护

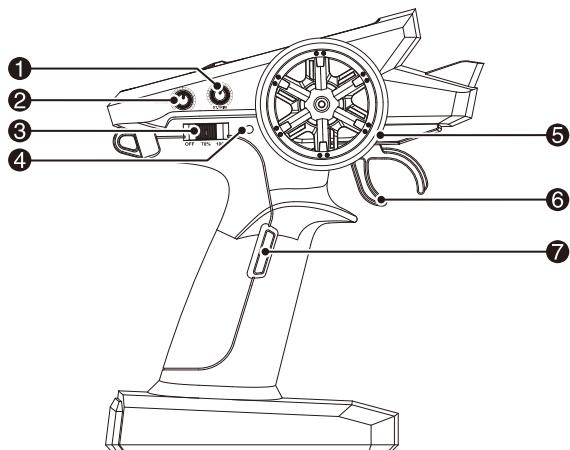
VCC: Powered by battery circuit. Provide the same voltage as the connected battery. It can be used as cooling fan power. Please make sure the battery voltage of the ESC is in the range of fan's.

BVD: Receivers with BVD function can be directly connected to this interface through an adapter cable, which is equivalent to connecting a battery.

VCC: 电池电路供电。提供与接入电池相同的电压。可用于散热风扇供电。请注意电调所接入的电池在风扇的工作电压范围内。

BVD: 带BVD功能的接收机可直接通过转接线连接此接口，等同于连接电池。

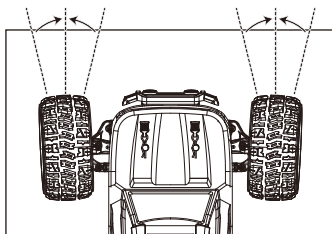
T3B Transmitter 遥控器



- ①ST.TRIM
(Steering servo strimmer)
ST.TRIM (转向舵机微调)
- ②TH.TRIM (Throttle trimmer)
TH.TRIM (油门中位微调)
- ③Power switch
电源开关
(OFF-70%TH-100%TH)
- ④Indicator light
指示灯
- ⑤CH1: ST (Steering)
CH1: ST (转向)
- ⑥CH2: TH (Throttle)
CH2: TH (油门)
- ⑦Fn (CH3 Light control)
Fn (CH3灯控)

①ST.TRIM (Steering servo strimmer 转向舵机微调)

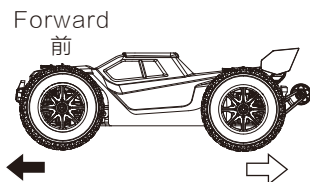
If the car cannot go straightly during driving, it can be adjusted through the ST.TRIM.
车辆行驶过程中如无法直线行驶，可通过此微调进行调整。



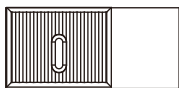
②TH.TRIM (Throttle trimmer 油门中位微调)

If the car can't stop when the TH in the middle place, you can adjust the button to stop the car.

如TH (油门) 在中位状态下，车辆无法正常停止，可通过此微调进行调节，使车辆停止。



③ Power/Speed switch 电源/速度档位开关



OFF 70% 100%

OFF 70% 100%
(关) (70% Throttle) (100% Throttle)
(70%油门) (100%油门)

④ Indicator light 指示灯

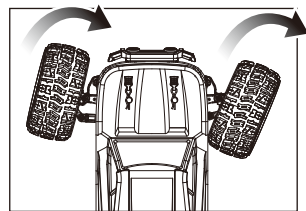
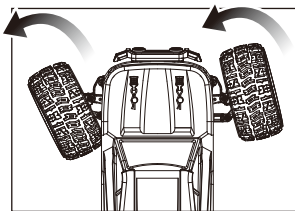
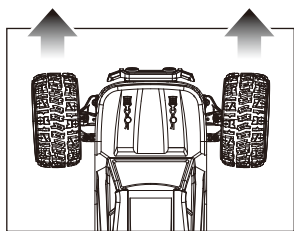
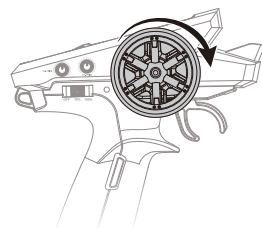
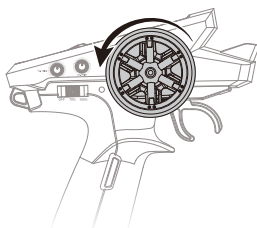
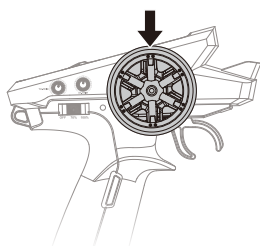
Stays on 常亮	Working well 正常
Flash quickly 快闪	Frequency mating 对码状态
Flash slowly 慢闪	Low battery of transmitter 遥控器电池电量低

⑤ CH1: ST (Steering 转向)

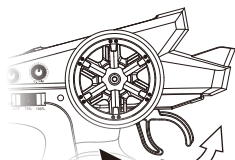
Middle
中位

Turn left
左转

Turn right
右转



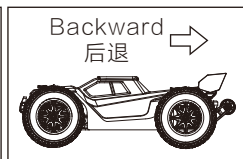
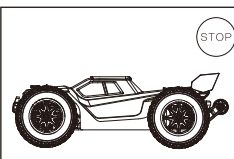
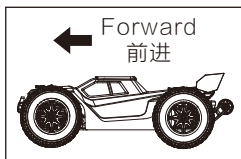
⑥ CH2: TH (Throttle 油门)



Pull back
向后拉

Middle
中位

Push forward
向前推





Brake: When the car is going forward, pull the transmitter trigger back, and the car enters into the braking state. After the trigger is in the middle, push back again, and the car can move backward.

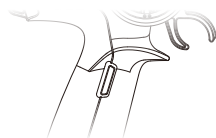
刹车：当车辆向前行驶时，遥控器推动后退，车辆进入刹车状态，需油门归中后，再次推动后退，车辆才能后退。

*When the car is in reverse situation, it does not the brake function.
车辆处于后退状态下，无刹车功能。

⑦Fn (CH3 Light control 灯控)

Short Press the “” button to turn on/off the light of high speed car.

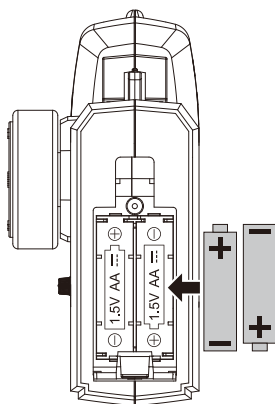
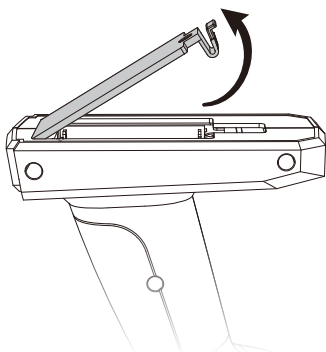
短按 “” 按键时，控制高速车灯光开启或关闭。



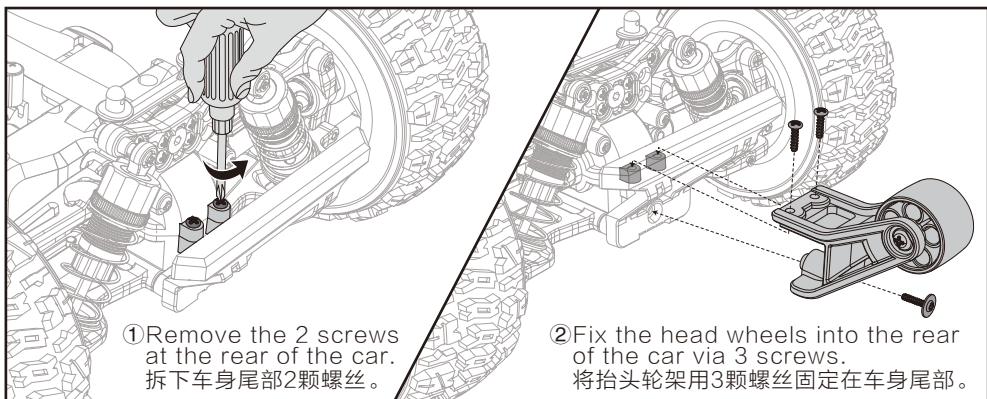
Install the Transmitter's Battery 遥控器安装电池

Open the transmitter's battery cover, insert 2 AA batteries according to the indicated positive and negative direction, close the battery cover.

将遥控器电池盖打开，按照遥控器指示的正负极，正确装入2节AA电池，再重新盖上电池盖。



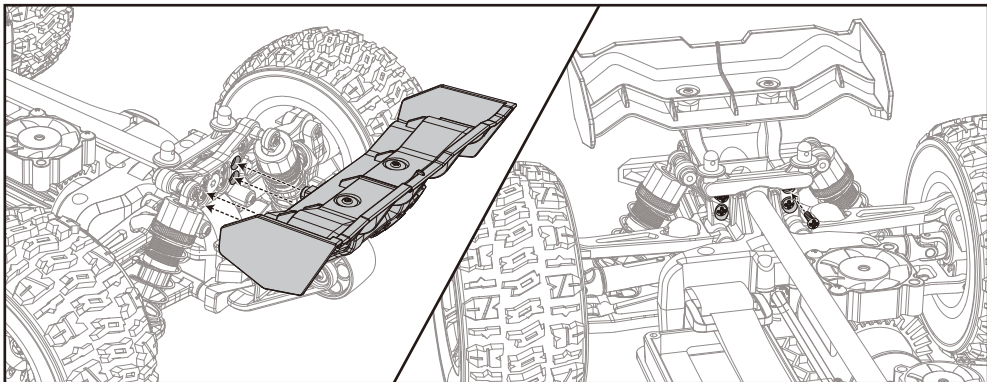
Install the Head Wheels 抬头轮安装



Install the Tail 安装尾翼

Install the tail to the rear shock tower, lock with 4 screws.

将尾翼安装到后避震架，用4颗螺丝锁紧尾翼。



Install the Battery 安装电池

①Unlock the fixing tape;

将固定带解开；

②Insert the battery into the battery box, make sure it's in place;

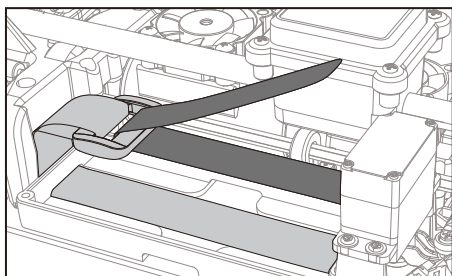
将电池放入电池座，确保安装到位；

③Tighten the battery with the fixing tape;

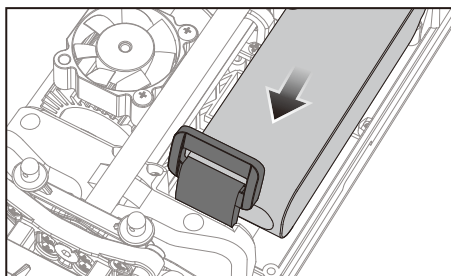
将固定带绑紧电池；

④Connect the receiver plug to the battery.

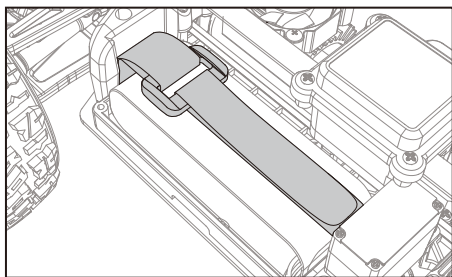
将接收器插头连接电池。



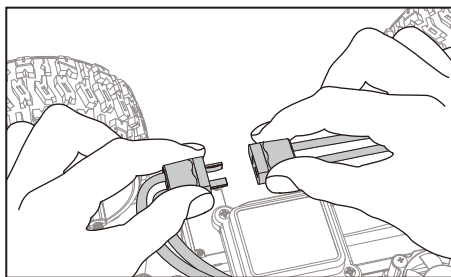
①



②



③



④

Charge 充电

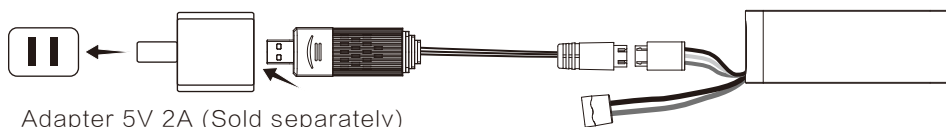
If charging with a 5V 2A USB adapter.

- When charging, the indicator light of charger is green and flashes;
 - When the battery is fully charged, the green indicator light of the charger stays on.
- *The above charging time data is based on the test result of 5V 2A adapter. Using different specifications of adapters or power supply equipment will affect the actual charging time. It is recommended to use a 5V 2A adapter for charging.

使用5V 2A USB适配器进行充电。

- 电池充电时，充电器绿色指示灯闪烁；
- 电池满电时，充电器绿色指示灯常亮。

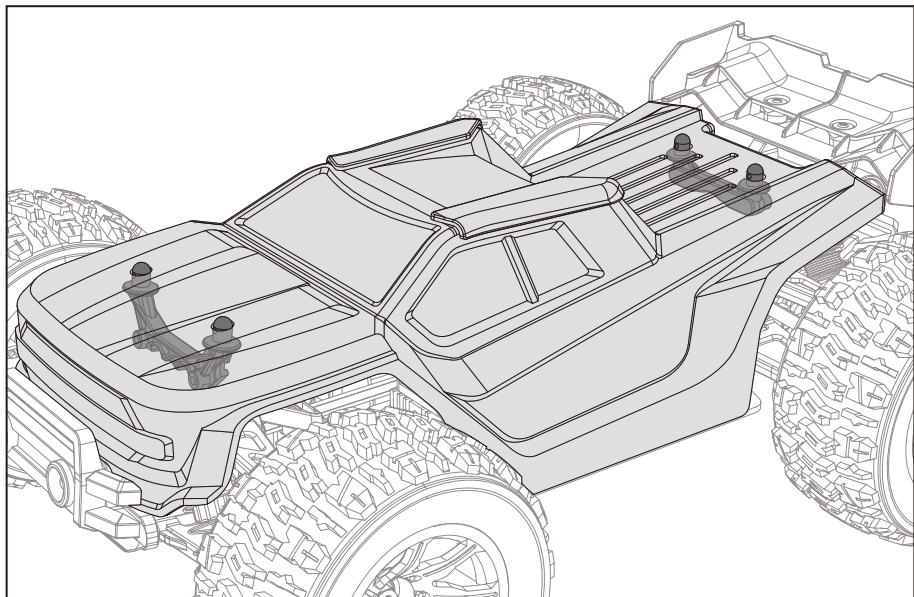
*以上充电时长数据为配置5V 2A适配器的测试结果，使用不同规格的适配器和供电设备会影响实际充电时间。建议使用5V 2A适配器进行充电。



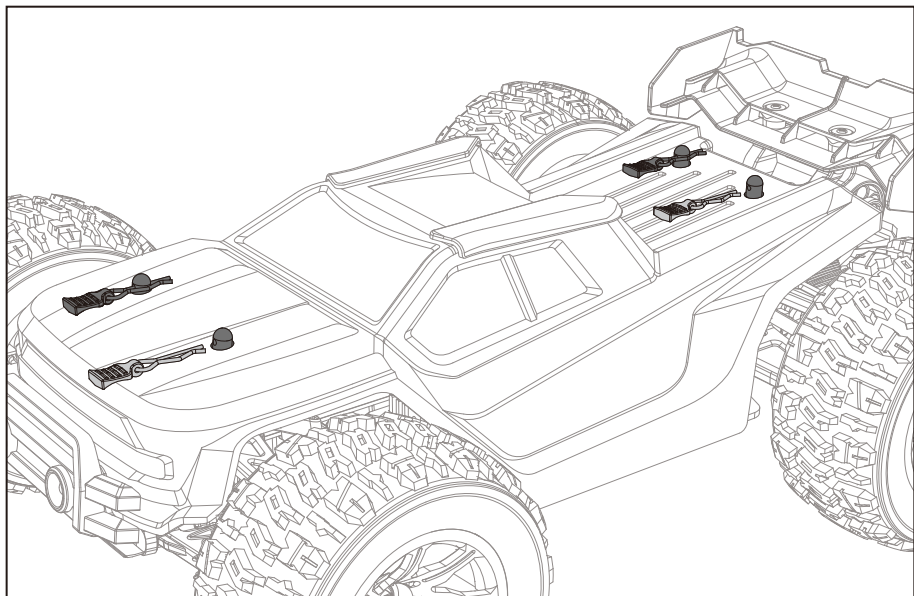
Adapter 5V 2A (Sold separately)
适配器5V 2A (需另购)

Install Car Shell 安装车壳

1. Align the 4 holes of the car shell with holders, then install it.
将车壳4个孔位对准车壳支架装入。



2. Insert the 4 clips into the holes to lock the car body.
将4个车壳扣插入锁紧车壳。

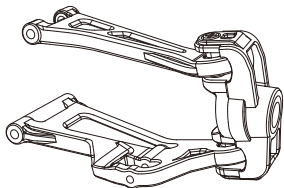


14200B Front Swing Set 前摆臂组件

Screw 螺丝:

M26124 Ø2.6x12.5mm 2PCS
Countersunk flat head screws
沉头平尾螺丝

14200B



Bearing 轴承:

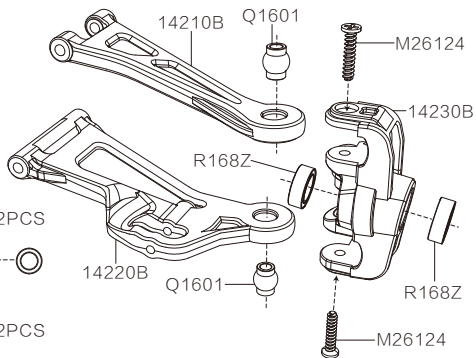
R168Z 2PCS

Ball bearing
滚珠轴承

Pivot balls 球头:

Q1601 2PCS

Steering pivot balls
球头



14201B Rear Swing Set 后摆臂组件

Screw 螺丝:

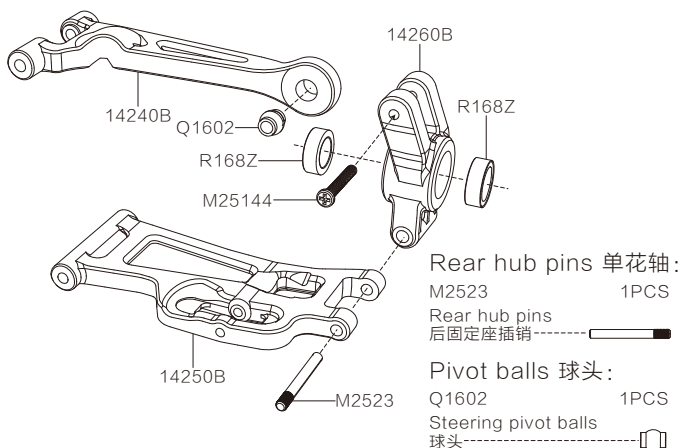
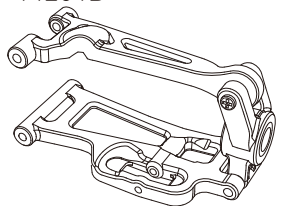
M25144 Ø2.5x14mm 1PCS
Machine screws
机丝螺丝

Bearing 轴承:

R168Z 2PCS

Ball bearing
滚珠轴承

14201B



Rear hub pins 单花轴:

M2523 1PCS

Rear hub pins
后固定座插销

Pivot balls 球头:

Q1602 1PCS

Steering pivot balls
球头

14400G Metal Gears Main Driving Set 全金属主传动组件

Bearing 轴承:

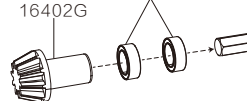
R168Z 2PCS

Ball bearing
滚珠轴承

R1810 2PCS

Ball bearing
滚珠轴承

16402G R168Z



14403B

R1810

14400G



1413Q9



Ø8xØ5x2.5mm

16420G Front Gears Diff Assembly 前差速器

Screw 螺丝:

M2123 Ø2x12mm 4PCS

Round head screws

圆头平尾螺丝

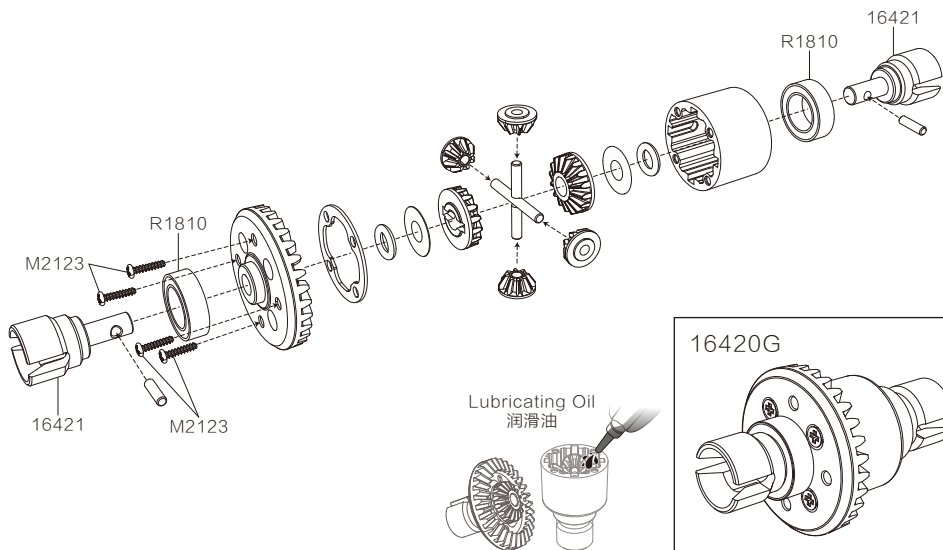
Bearing 轴承:

R1810

2PCS

Ball bearing

滚珠轴承



16420G2 Rear Diff Assembly 后差速器

Screw 螺丝:

M2123 Ø2x12mm 4PCS

Round head screws

圆头平尾螺丝

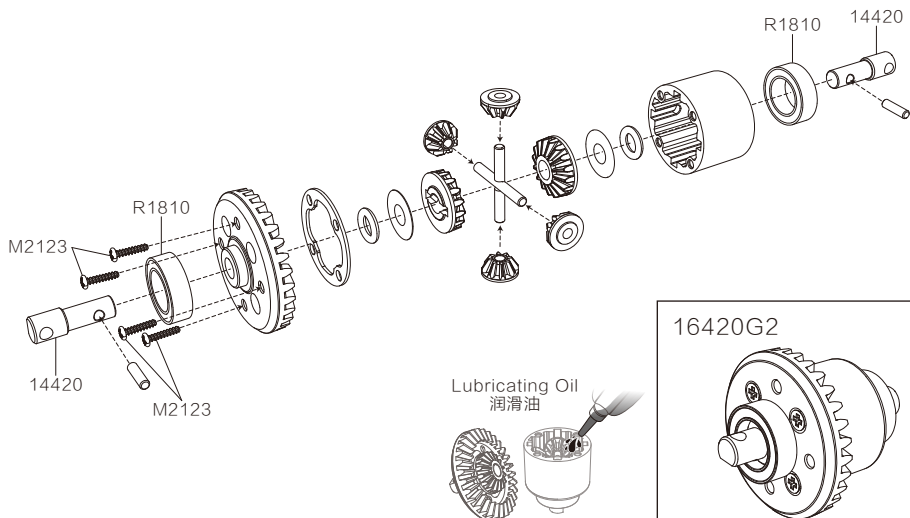
Bearing 轴承:

R1810

2PCS

Ball bearing

滚珠轴承



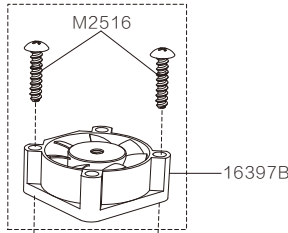
ESC Fan 电调风扇

Screw 螺丝:

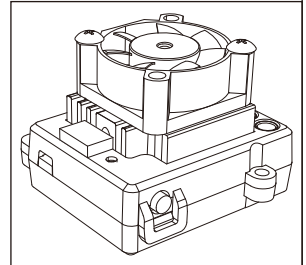
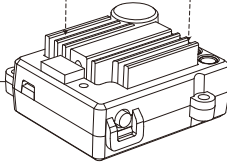
M2516 Ø2.5x16mm 2PCS

Machine screws

机丝螺丝



E45AZ



14500B/14510B Oil Filled Shock 油压避震

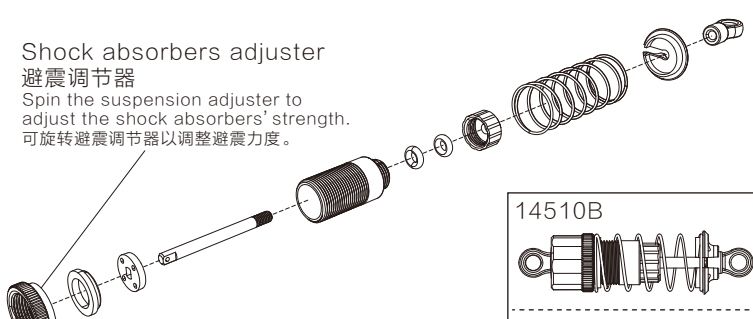
Add shock oil

添加避震油

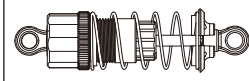


Shock absorbers adjuster
避震调节器

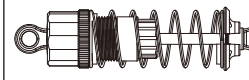
Spin the suspension adjuster to adjust the shock absorbers' strength.
可旋转避震调节器以调整避震力度。



14510B



14500B



14700B Servo Assembly 舵机组件

Screw 螺丝:

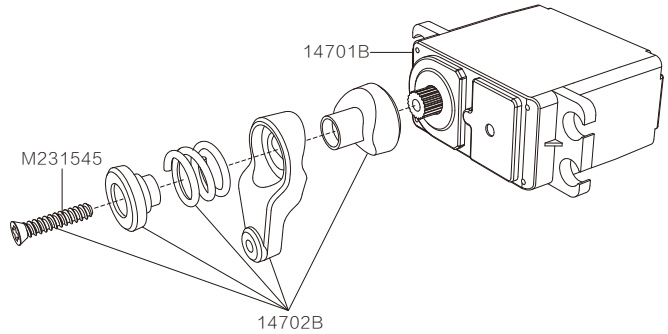
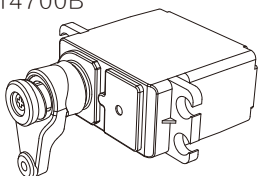
M231545 Ø2.3x15mm 1PCS

Countersunk flat head screws

沉头平尾螺丝



14700B



B2852A & 16397 Motor Assembly 电机组件

Screw 螺丝:

M3080 $\varnothing 3 \times 8 \text{mm}$ 2PCS

Screws

半圆头内六角螺丝

M3156 $\varnothing 3 \times 15 \text{mm}$ 2PCS

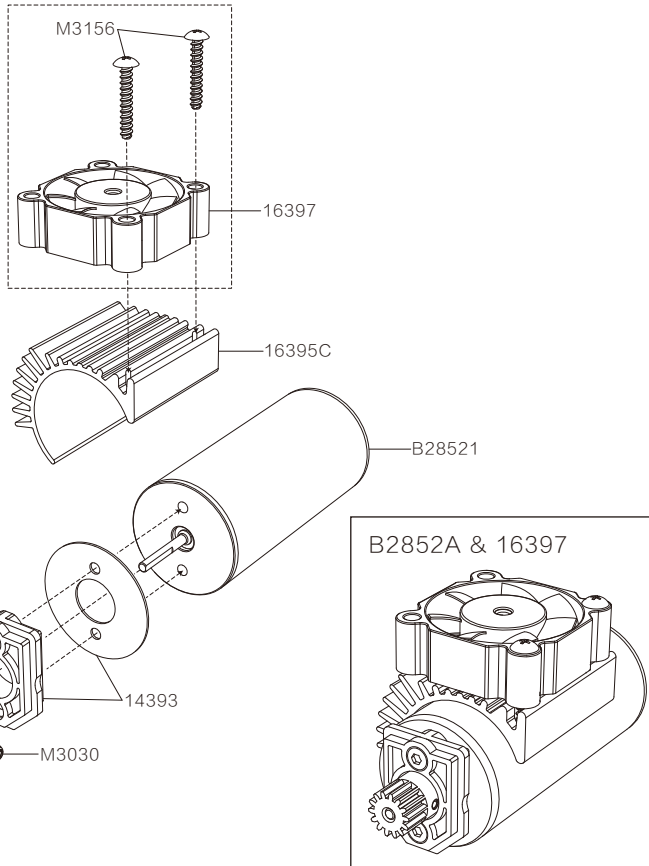
Machine screws

机丝螺丝

M3030 $\varnothing 3 \times 3 \text{mm}$ 1PCS

Hexagon socket machine screw

内六角机丝螺丝



14430B Steering Assembly 转向传动组件

Screw 螺丝:

M23124 $\varnothing 2.3 \times 12 \text{mm}$ 4PCS

Countersunk flat head screws

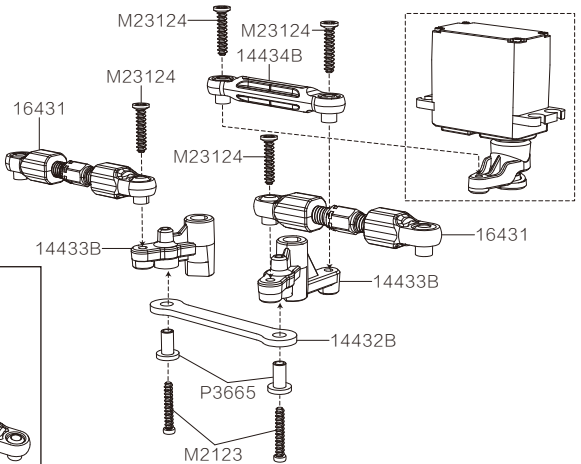
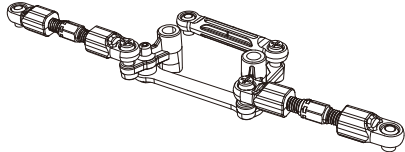
沉头平尾螺丝

M2123 $\varnothing 2 \times 12 \text{mm}$ 2PCS

Round head screws

圆头平尾螺丝

14430B



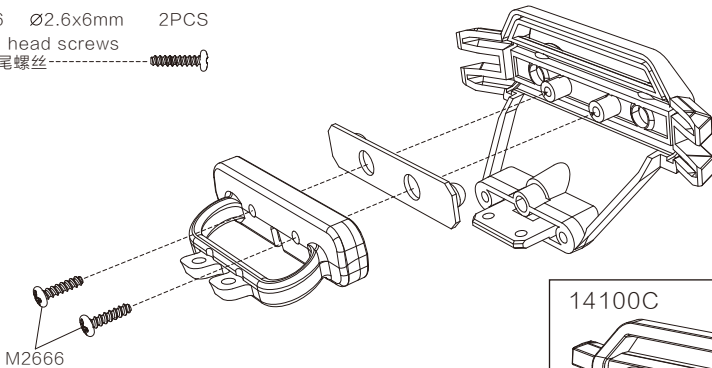
14100C Front Bumper Assembly 前防撞组件

Screw 螺丝:

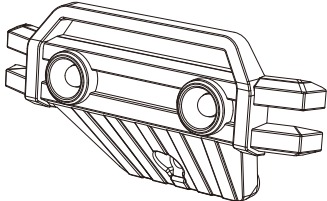
M2666 Ø2.6x6mm 2PCS

Round head screws

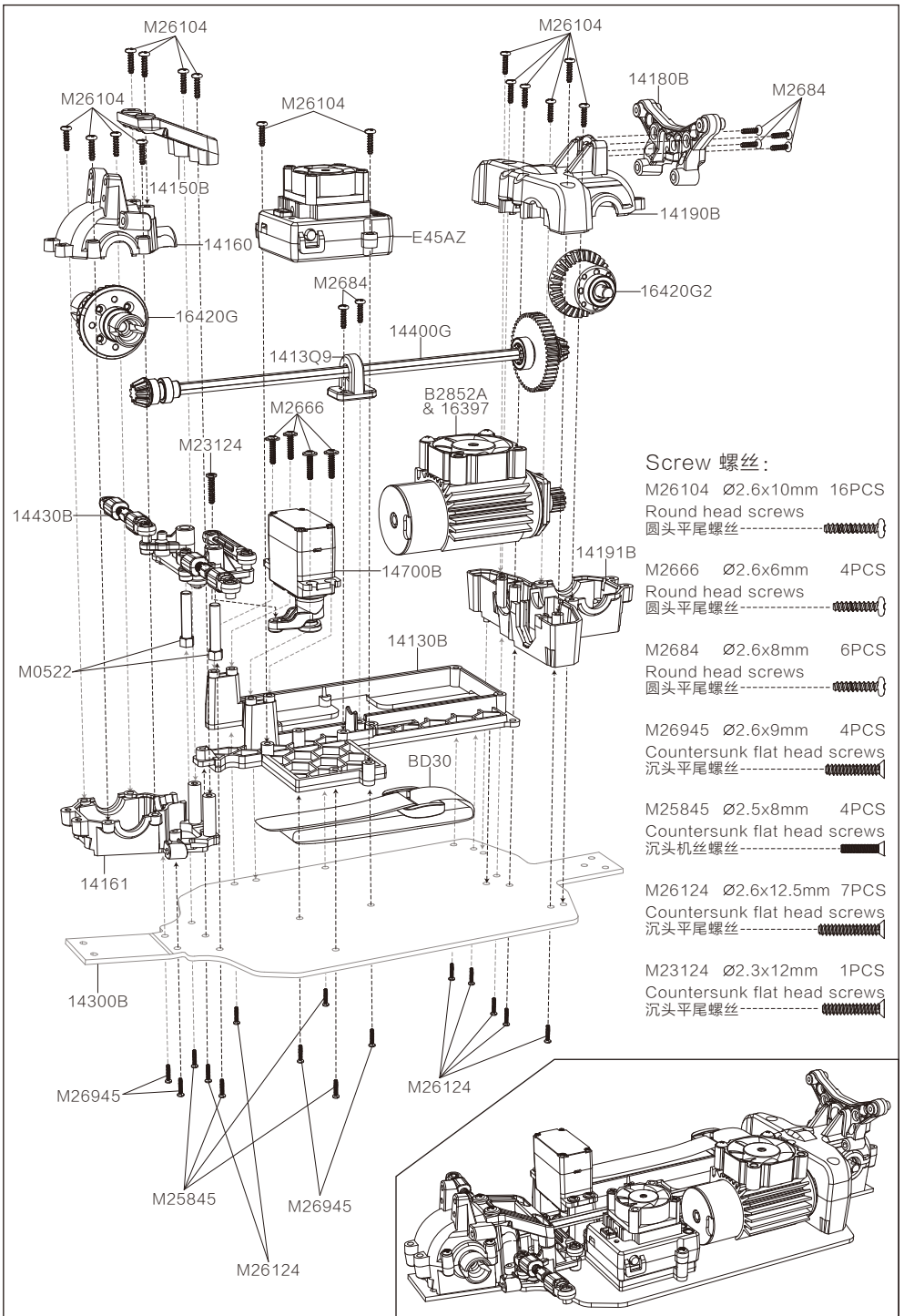
圆头平尾螺丝



14100C



High Speed Car Assemble 高速车总装



High Speed Car Assemble 高速车总装

Screw 螺丝:

M25144 $\varnothing 2.5 \times 14\text{mm}$ 1PCS (2PCS)

Machine screws
机丝螺丝

M3294 $\varnothing 3 \times 29\text{mm}$ 4PCS

Round head half thread screws
圆头平尾半牙螺丝

S4092 $\varnothing M4 \times 9.5\text{mm}$ 1PCS (2PCS)

Screws 机米螺杆

Iron shaft 铁轴:

M25425

Lower swing arm fixed shaft
下摆臂固定轴

M2684 $\varnothing 2.6 \times 8\text{mm}$ 4PCS

Round head screws
圆头平尾螺丝

M2664 $\varnothing 2.6 \times 6\text{mm}$ 4PCS

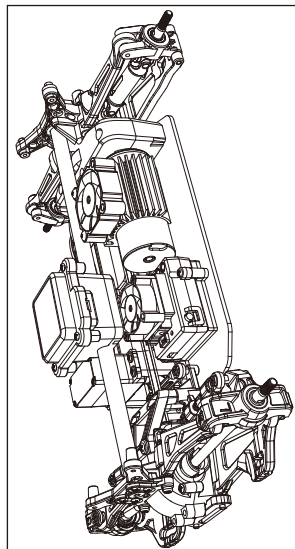
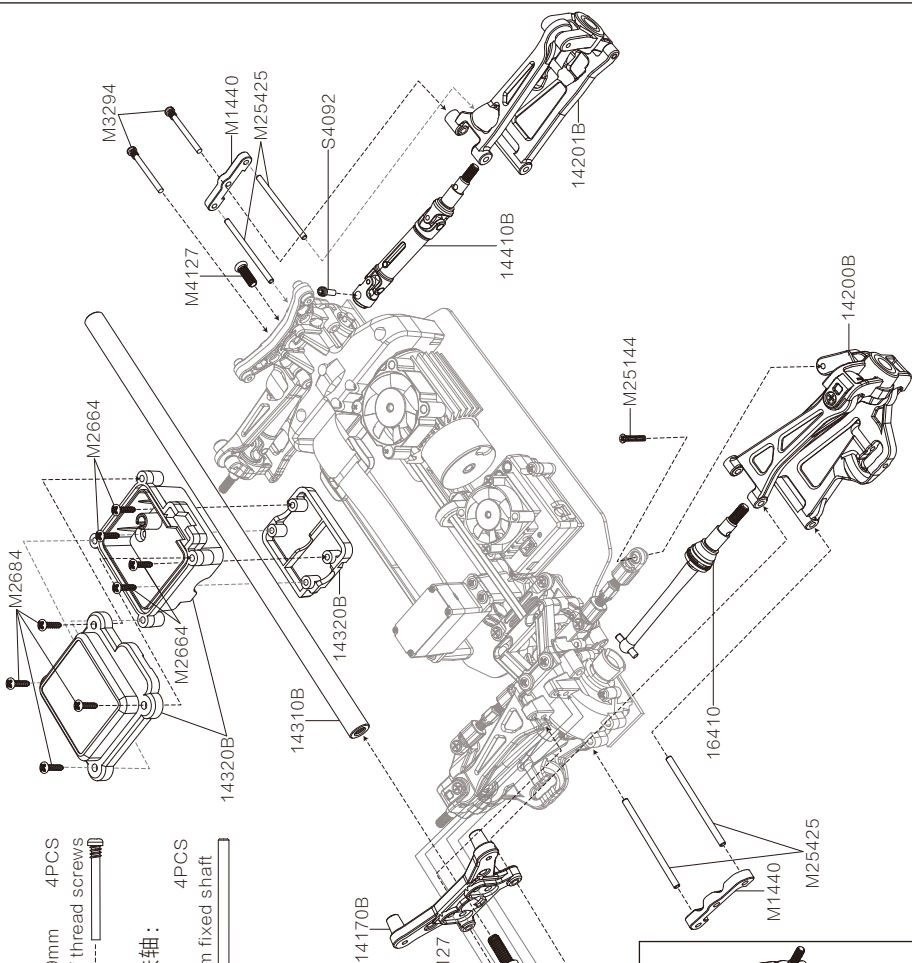
Round head screws
圆头平尾螺丝

M4127 $\varnothing 4 \times 12\text{mm}$ 2PCS

Machine screws
机丝螺丝

M26104 $\varnothing 2.6 \times 10\text{mm}$ 4PCS

Round head screws
圆头平尾螺丝



High Speed Car Assemble 高速车总装

Screw 螺丝:

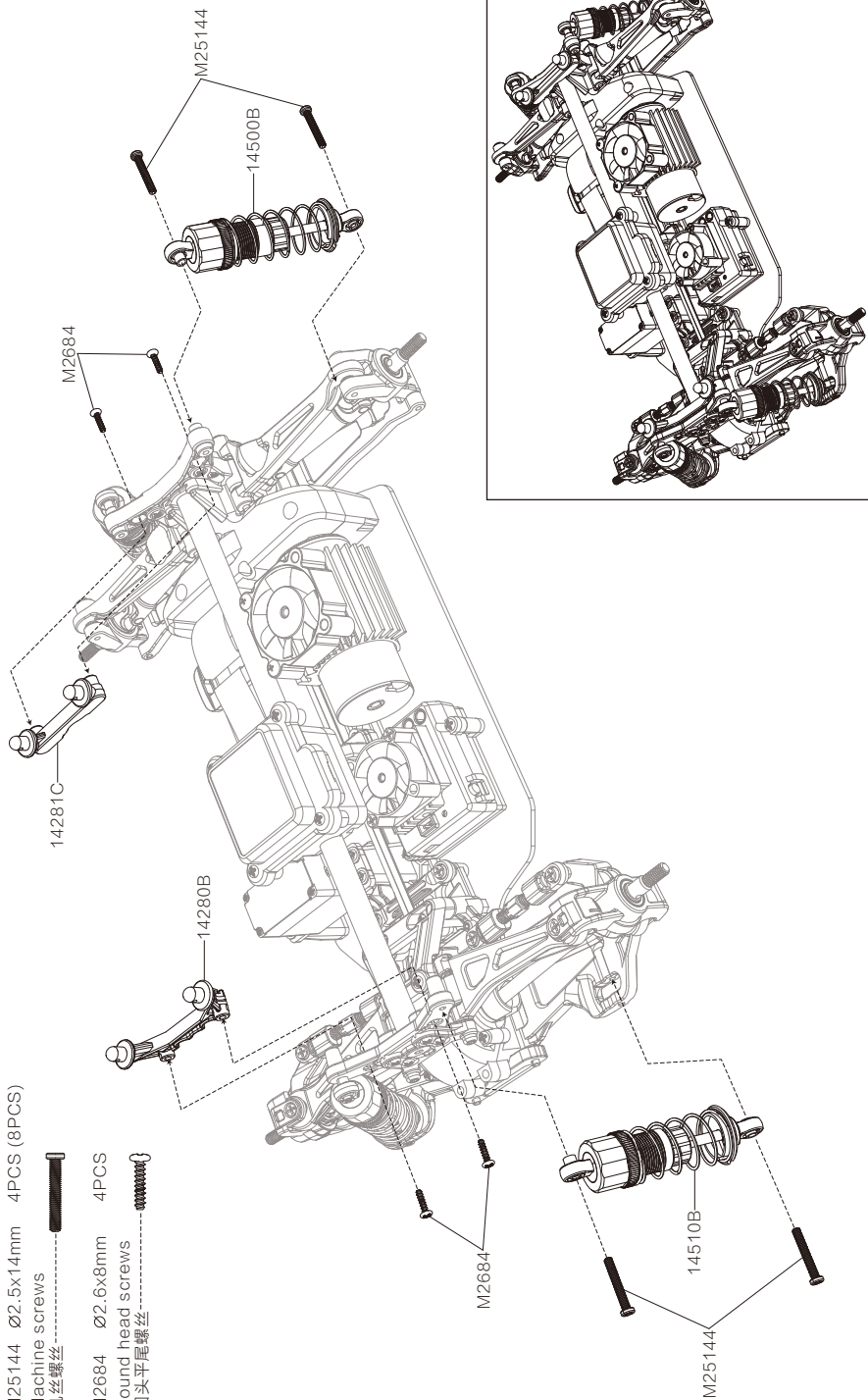
M25144 Ø2.5x14mm 4PCS (8PCS)

Machine screws
机丝螺丝

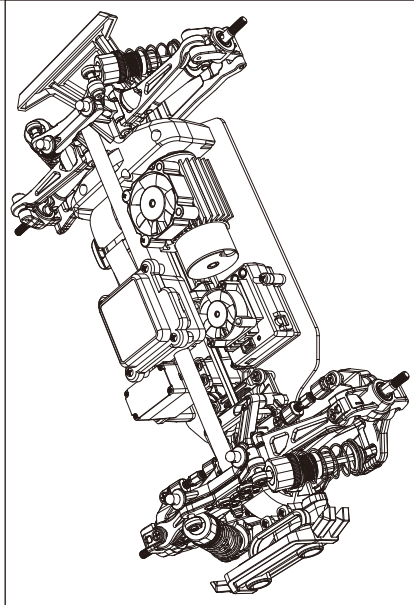
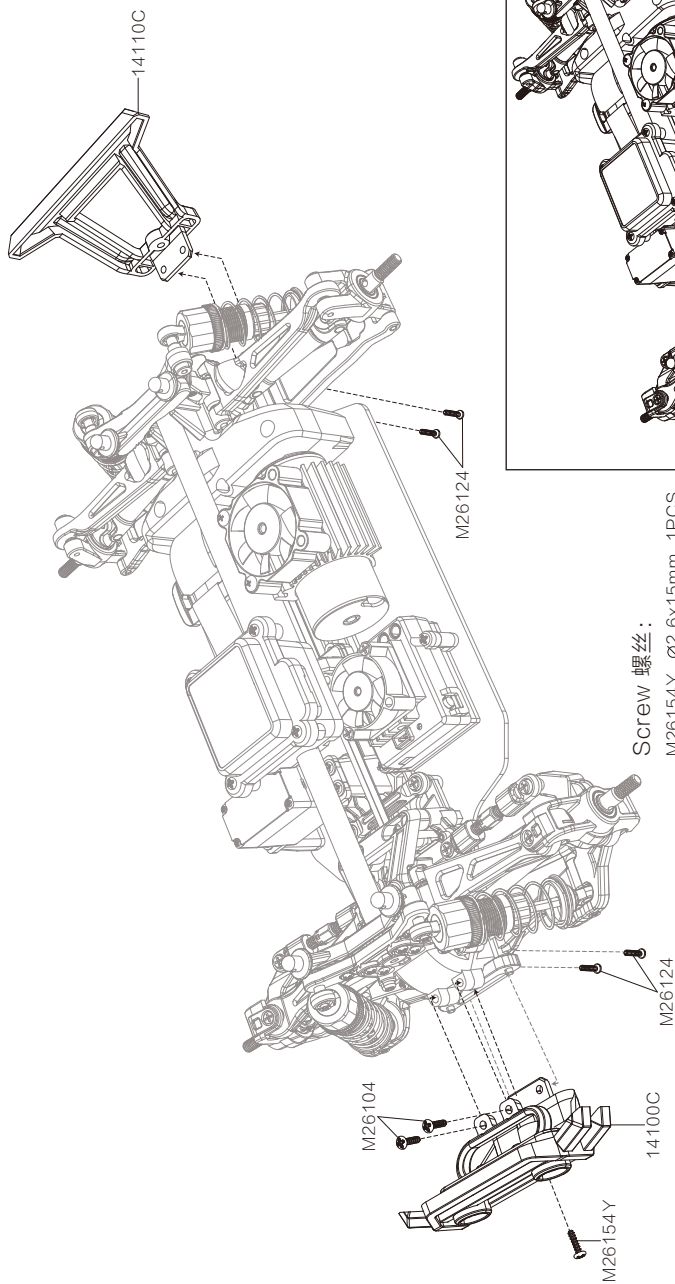


M2684 Ø2.6x8mm 4PCS

Round head screws
圆头平尾螺丝



High Speed Car Assemble 高速车总装



Screw 螺丝:

- M26154 Y $\varnothing 2.6 \times 15\text{mm}$ 1PCS
Round head screws
圆头平尾螺丝
- M26104 $\varnothing 2.6 \times 10\text{mm}$ 2PCS
Round head screws
圆头平尾螺丝
- M26124 $\varnothing 2.6 \times 12.5\text{mm}$ 4PCS
Countersunk flat head screws
沉头平尾螺丝

High Speed Car Assemble 高速车总装

Iron shaft 铁轴:

M20101 1PCS (4PCS)

Wheel hex pins

六角套铁轴

16440 1PCS (4PCS)

Wheel hex

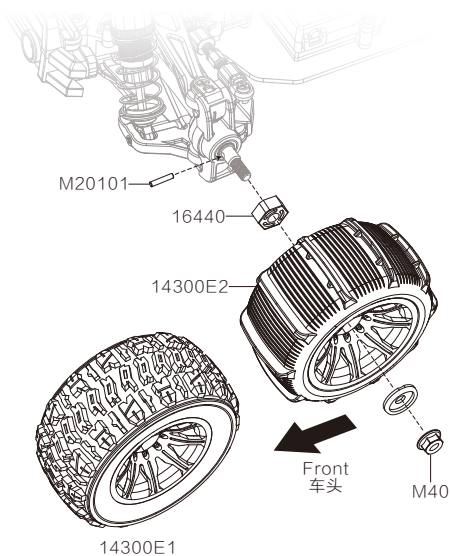
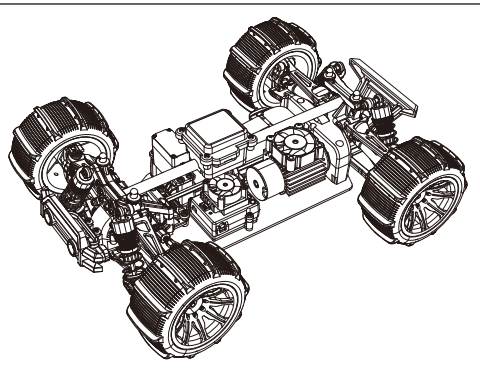
六角套

Nut 螺母:

M40 1PCS (4PCS)

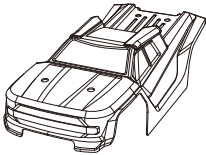
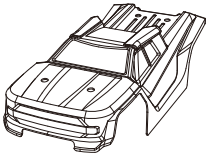
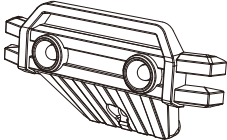
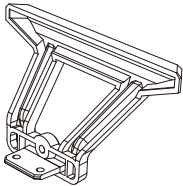
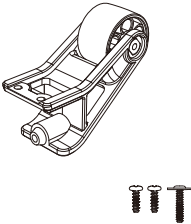
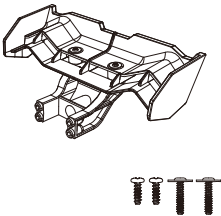
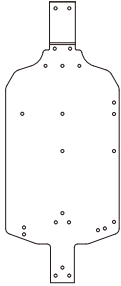

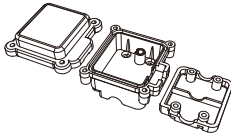
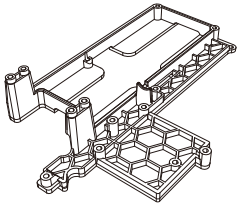
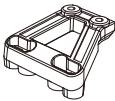
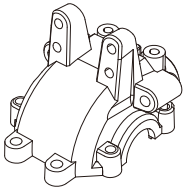
M4 Wheel lock nut

M4螺母

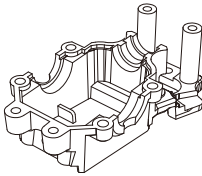
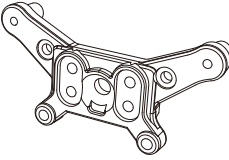
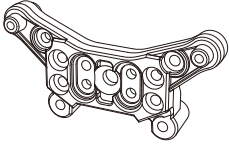
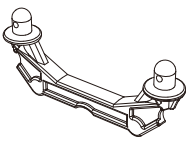
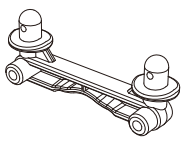
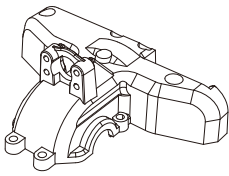
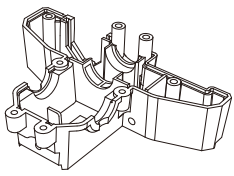
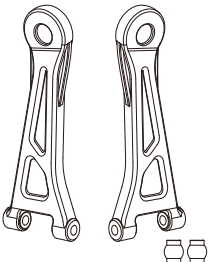
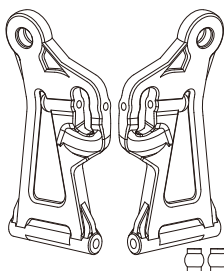
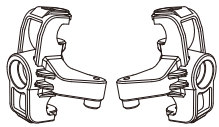
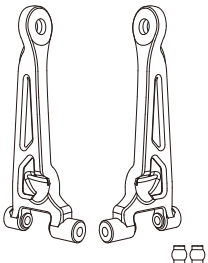
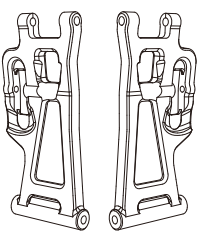


Install the tyres on the corresponding side according to the diagram.
请注意14300E2轮胎安装方向。

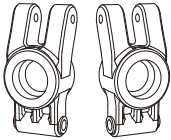
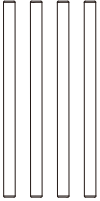
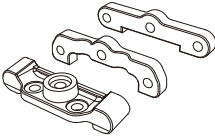
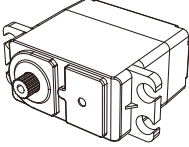

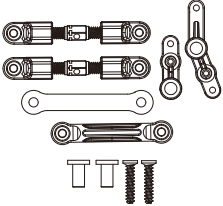
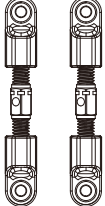
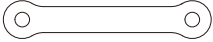
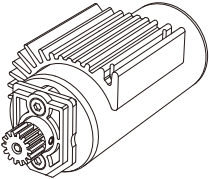
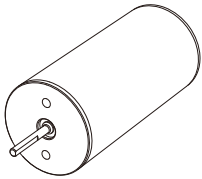

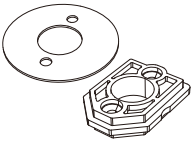
Spare Parts 配件表

			
1430D1	1430D2	14100C	14110C
Body 车壳组件(黑)	Body 车壳组件(金)	Front Bumper Assembly 前防撞组件	Rear Bumper 后防撞
			
14120	1412A	14300B	14310B
Wheelie Bar Assembly 抬头轮	Tail 尾翼	Chassis 底盘	Center Brace Bar 中支撑杆
			
14320B	14130B	14150B	14160
Center Shelf 中搁架	Chassis Parts 底盘配件	Front Support Frame 前支撑架	Front Upper Gearbox Covers 前齿轮盖

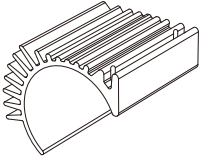
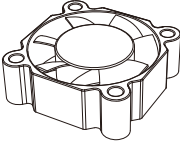

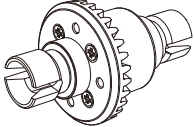
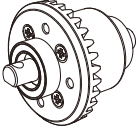
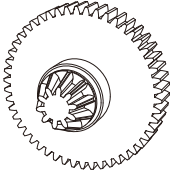
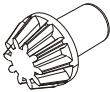

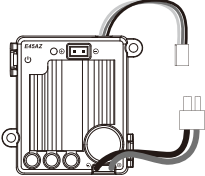
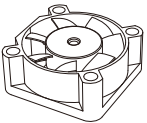


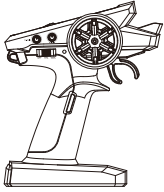
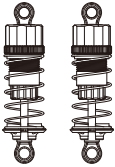
Spare Parts 配件表

			
14161	14170B	14180B	14280B
Front Under Gearbox Covers 前差速底座	Front Shock Tower 前避震架	Rear Shock Tower 后避震架	Front Body Pillars 前车壳支架
			
14281C	14190B	14191B	14210B
Rear Body Pillars 后车壳支架	Rear Upper Gearbox Covers 后齿轮盖	Front Under Gearbox Covers 后差速底座	Front Upper Suspension Arms (Including Ball Head) 前上摆臂(含球头)
			
14220B	14230B	14240B	14250B
Front Lower Suspension Arms (Including Ball Head) 前下摆臂(含球头)	Steering Block 转向座	Rear Upper Suspension Arms (Including Ball Head) 后上摆臂(含球头)	Rear Lower Suspension Arms 后下摆臂

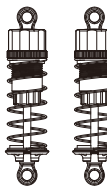
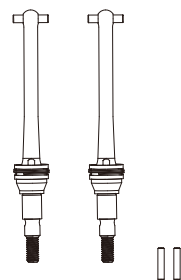
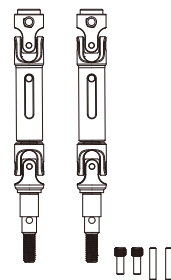
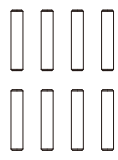
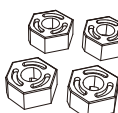
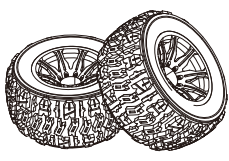
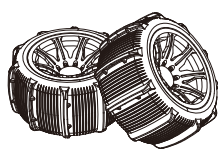
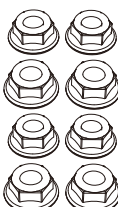

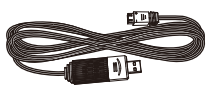
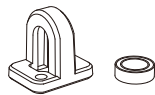
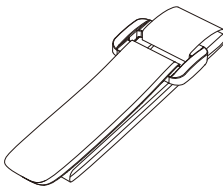
Spare Parts 配件表

			
14260B	M25425	M1440	14701B
Rear Hubs 后固定座	F/R Lower Swing Arm Fixed Shaft 下摆臂固定轴	F/R Reinforced Sheet 前后加强件	Servo 舵机
			
14702B	14430B	16431	14432B
Servo Saver Assembly 舵机离合摆臂	Steering Assembly 转向传动组件	Steering Linkage 转向拉杆(2PCS)	Connecting Rod 转向连杆
			
B2852A	B28521	16392B	14393
Motor Assembly 电机组件	Brushless Motor 无刷电机	Motor Pinions 电机输出齿	Motor Guard 电机固定座

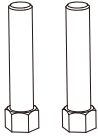
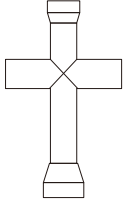







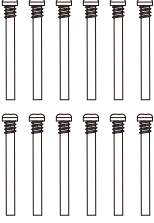


Spare Parts 配件表

	 		
16395C	16397	16420G	16420G2
Motor Heatsink 散热片	Motor Fan 风扇	Front Gears Diff Assembly 前差速器	Rear Diff Assembly 后差速器
			 <input type="checkbox"/>
14401G	16402G	14403B	E45AZ
Spur Gear Assembly (Metal) 传动主齿轮组件(金属)	Drive Gear (Metal) 前锥齿(金属)	Centre Drive Shaft 主轴	Brushless ESC 无刷电子调速器
 			
16397B	R30	T3B	14510B
ESC Fan 电调风扇	Receiver 接收器	Transmitter 遥控器	Oil Filled Shock (Front) 油压避震(前)


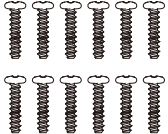

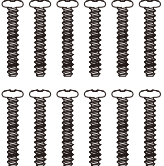
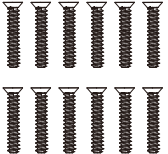
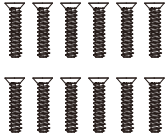
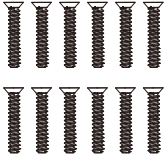


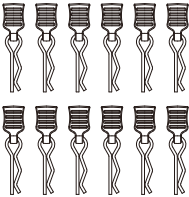

Spare Parts 配件表

			
14500B	16410	14410B	M20101
Oil Filled Shock (Rear) 油压避震(后)	Metal F/R CVD Shafts (2 Sets) 轮胎转动组件	Wheels Drive Shaft (2 Sets) 轮胎转动组件	Wheel Hex Pins 六角套铁轴 (8PCS)
			
16440	14300E1	14300E2	M40
Wheel Hex 六角套	Wheel Assembly 车轮组件 (2PCS)	Wheel Assembly 车轮组件 (2PCS)	M4 Wheel Lock Nut M4螺母 (8PCS)
			
103348530002S25T	P2050	1413Q9	BD30
Battery 电池	USB Charging Cable USB充电线	Drive Shaft Bracket 主轴支撑架	Battery Base 电池固定带

Spare Parts 配件表

			
M0522	P812	P810	S4092
Steering Shaft 转向轴 (2PCS)	Hexagonal Wrench 六角扳手	Screwdriver 螺丝刀	机米螺杆 (12PCS)
			
R1810	R168Z	Q1601	Q1602
Ball Bearing 滚珠轴承 (8PCS)	Ball Bearing 滚珠轴承 (8PCS)	Steering Pivot Balls 球头 (8PCS)	Steering Pivot Balls 球头 (8PCS)
			
M2523	M3294	M2123	M2664
Rear Fixing Pin 后固定座插销 (4PCS)	Round Head Half Thread Screws 圆头平尾半牙螺丝 (12PCS)	Round Head Screws 圆头平尾螺丝 (12PCS)	Round Head Screws 圆头平尾螺丝 (12PCS)

Spare Parts 配件表

			
M2666	M2684	M26104	M26154Y
Round Head Screws 圆头平尾螺丝 (12PCS)	Round Head Screws 圆头平尾螺丝 (12PCS)	Round Head Screws 圆头平尾螺丝 (12PCS)	Round Head Screws 圆头平尾螺丝 (12PCS)
			
M23124	M26945	M26124	M4127
Countersunk Flat Head Screws 沉头平尾螺丝 (12PCS)	Countersunk Flat Head Screws 沉头平尾螺丝 (12PCS)	Countersunk Flat Head Screws 沉头平尾螺丝 (12PCS)	Machine screws 机丝螺丝 (12PCS)
			
M25845	M001	M25144	
Countersunk Machine Screws 沉头机丝螺丝 (12PCS)	Body Clips 车壳扣 (12PCS)	Machine screws 机丝螺丝 (12PCS)	



MADE IN CHINA

Instructions must be retained since it contains important information.