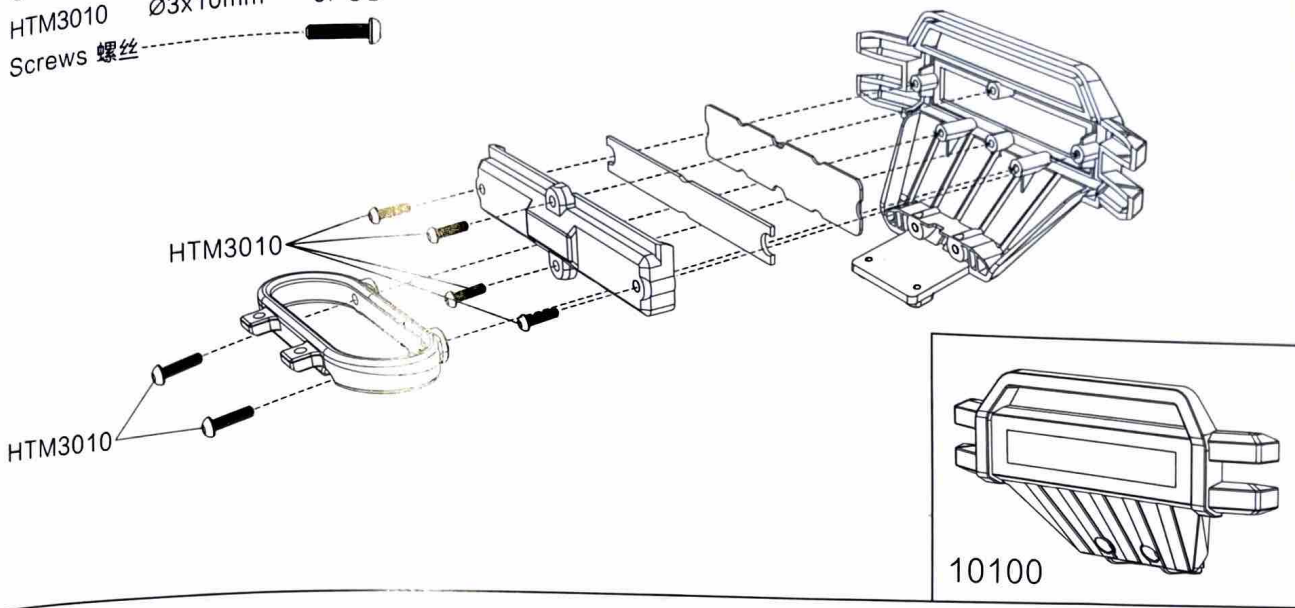


Front Bumper Assembly 前防撞组件

Screw 螺丝:

HTM3010 Ø3x10mm 6PCS

Screws 螺丝

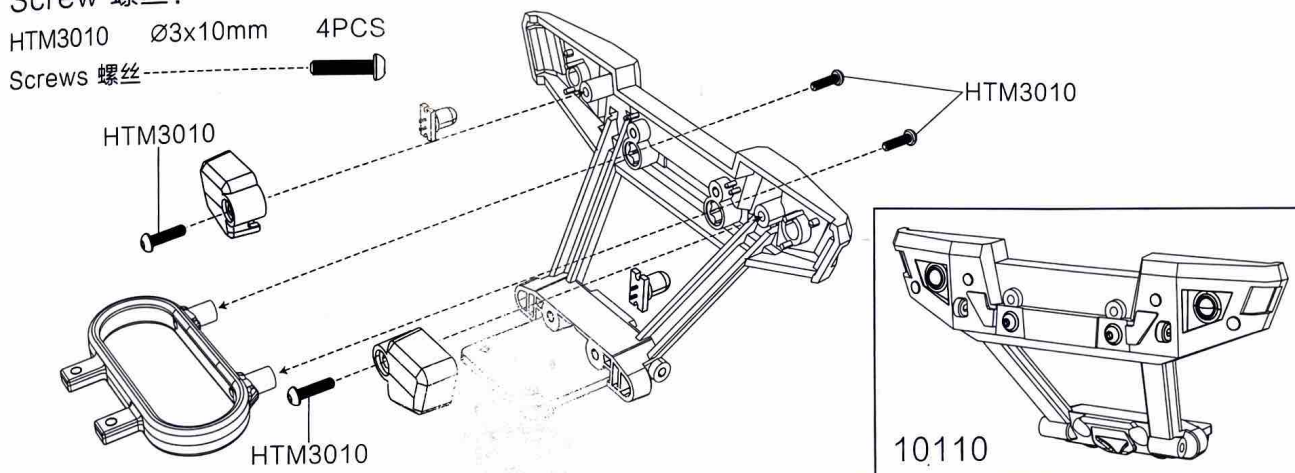


Rear Bumper Assembly 后防撞组件

Screw 螺丝:

HTM3010 Ø3x10mm 4PCS

Screws 螺丝



Front Swing Set 前摆臂组件

Screw 螺丝:

HTM3016 Ø3x16mm 1PCS

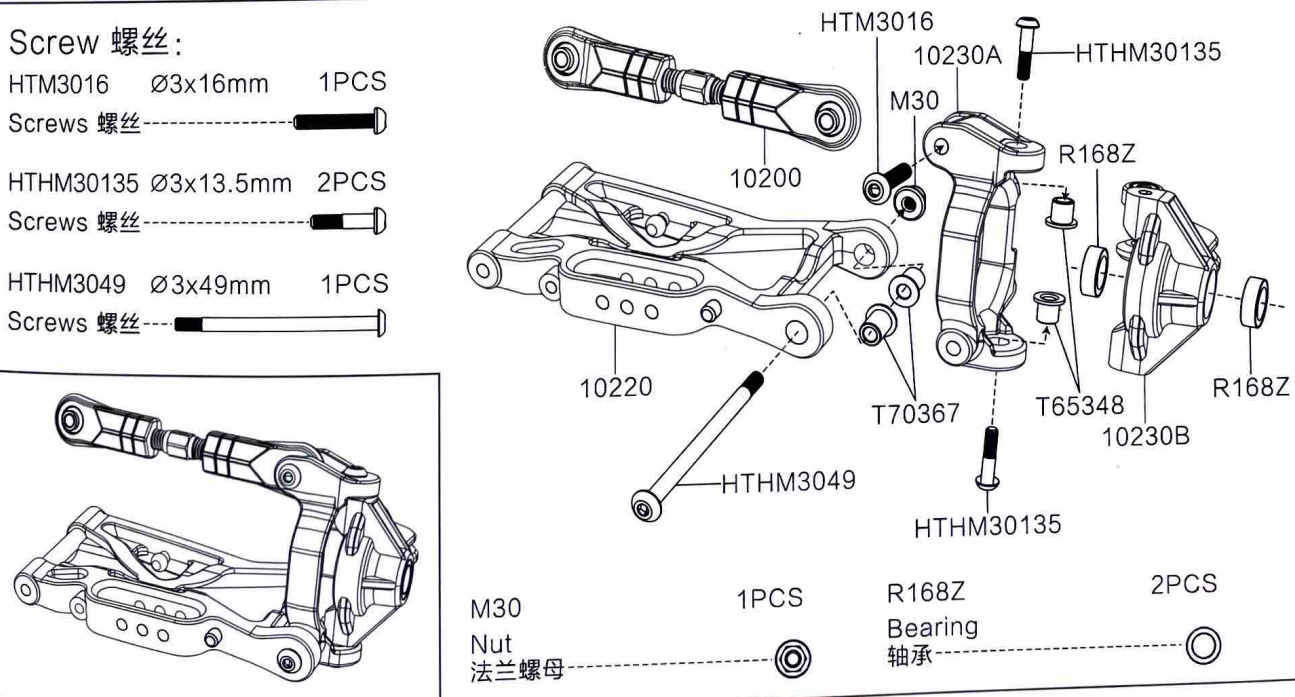
Screws 螺丝

HTHM30135 Ø3x13.5mm 2PCS

Screws 螺丝

HTHM3049 Ø3x49mm 1PCS

Screws 螺丝



M30

Nut 法兰螺母

1PCS

R168Z

Bearing 轴承

2PCS

Rear Swing Set 后法有型

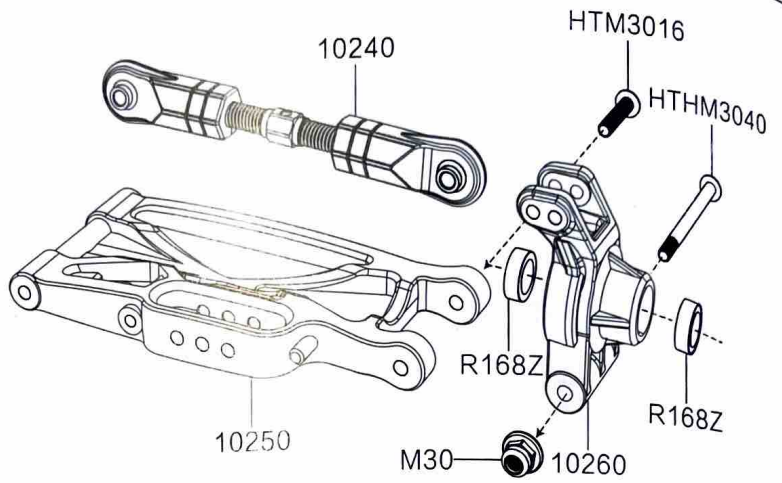
Screw 螺丝:

HTM3016 Ø3x16mm 1PCS

Screws 螺丝

HTHM3040 Ø3x40mm 1PCS

Screws 螺丝



M30

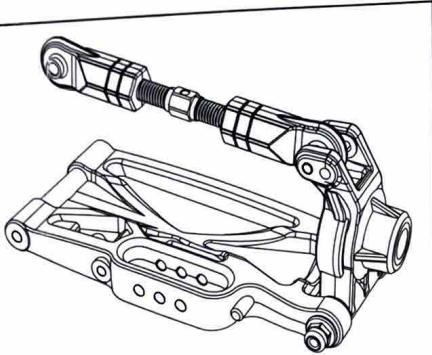
Nut
法兰螺母

1PCS

R168Z

Bearing
轴承

2PCS



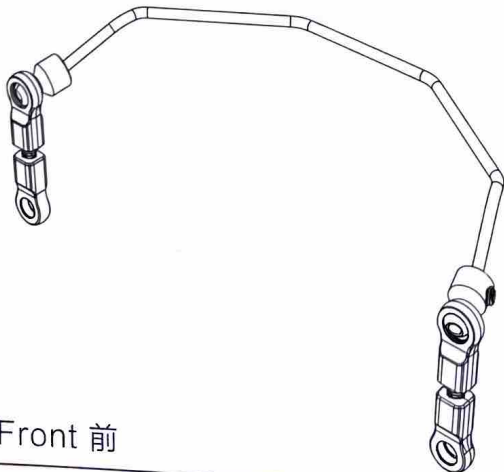
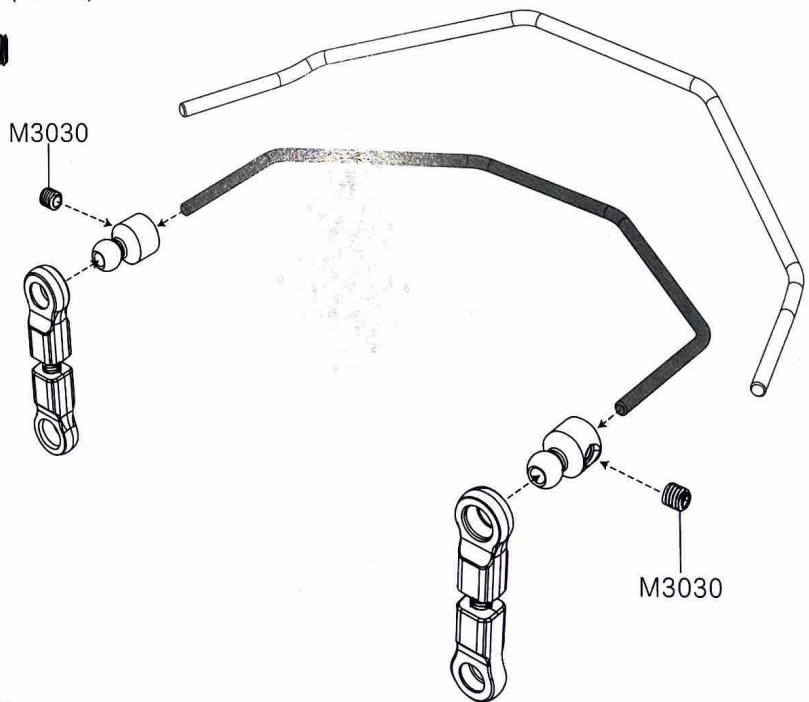
Front/Rear Sway Bar 前/后防倾杆

Screw 螺丝:

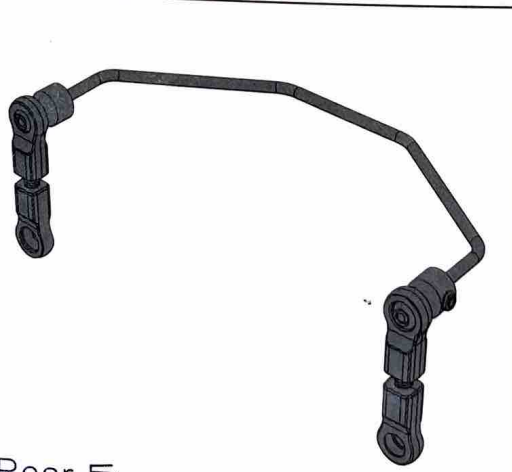
M3030 Ø3x3mm 2PCS(4PCS)

Screws

内六角机丝螺丝



Front 前



Rear 后


Motor Assembly 电机组件

Screw 螺丝:


HTM3016 $\varnothing 3 \times 16 \text{mm}$ 6PCS

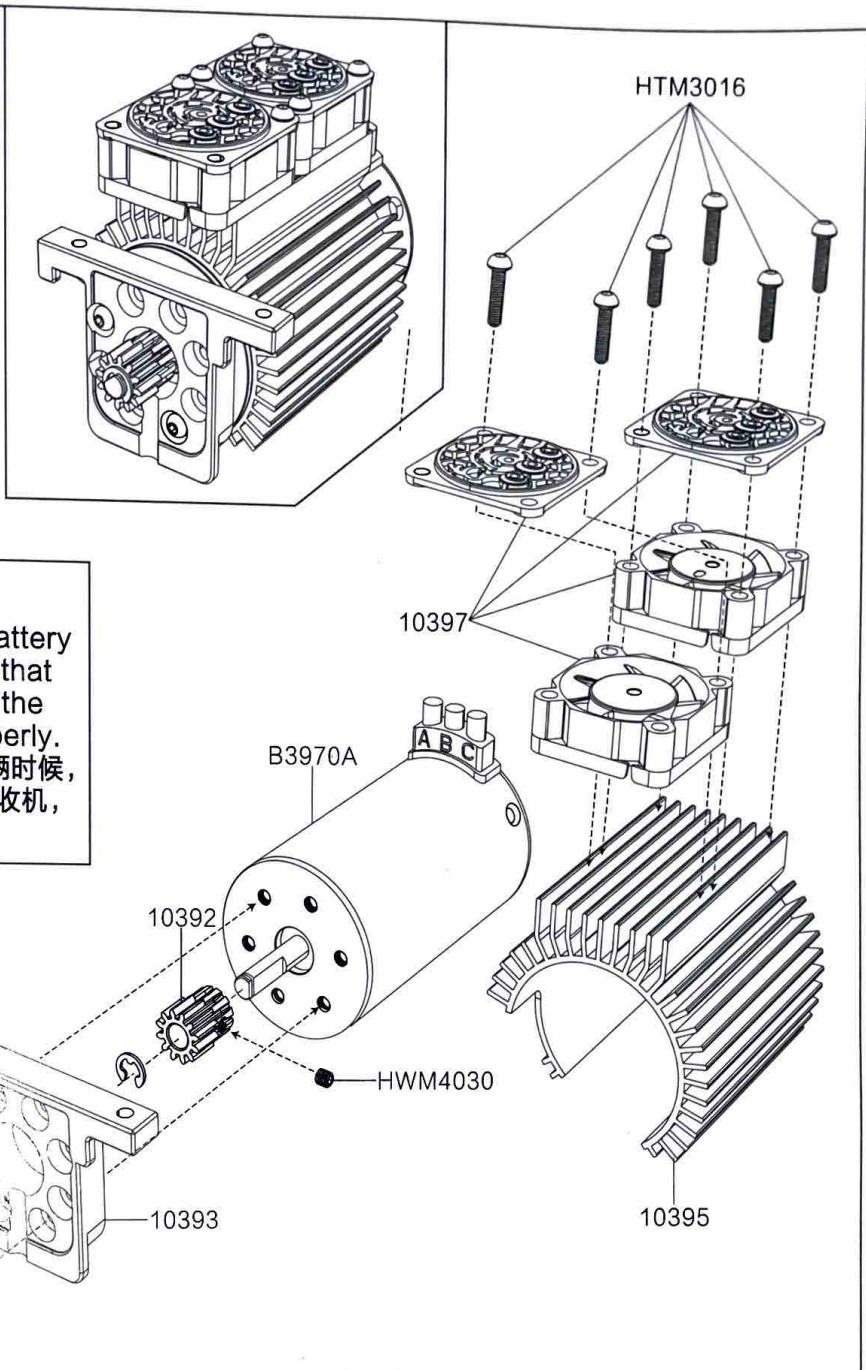
Screws 螺丝 


HTM3010 $\varnothing 3 \times 10 \text{mm}$ 2PCS

Screws 螺丝 

HWM4030 $\varnothing 4 \times 3 \text{mm}$ 1PCS

Screws 内六角机丝螺丝 

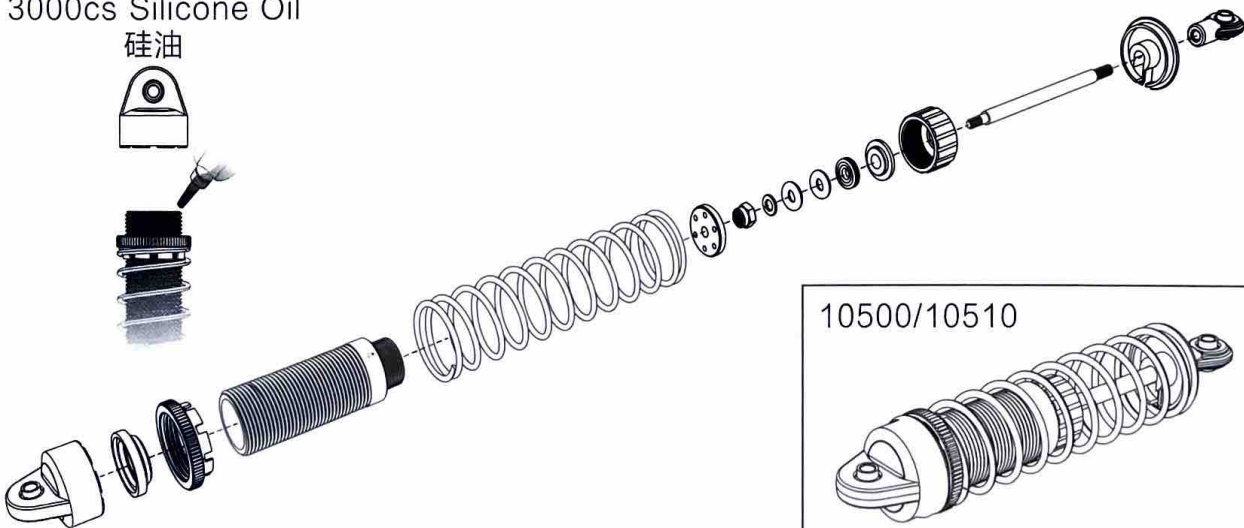


 When using a 4S (14.8V) battery to drive the car, make sure that both fans are connected to the receiver and operating properly.
当使用4S(14.8V)电池驱动车辆时候, 请务必保证2个风扇均已连接接收机, 并能正常运行。

Oil Filled Shock 油压避震

3000cs Silicone Oil

硅油



10500/10510

Steering Assembly 转向传动组件

Screw 螺丝:

HTM3014 $\varnothing 3 \times 14 \text{mm}$ 2PCS

Screws 螺丝

HTM3020 $\varnothing 3 \times 20 \text{mm}$ 2PCS

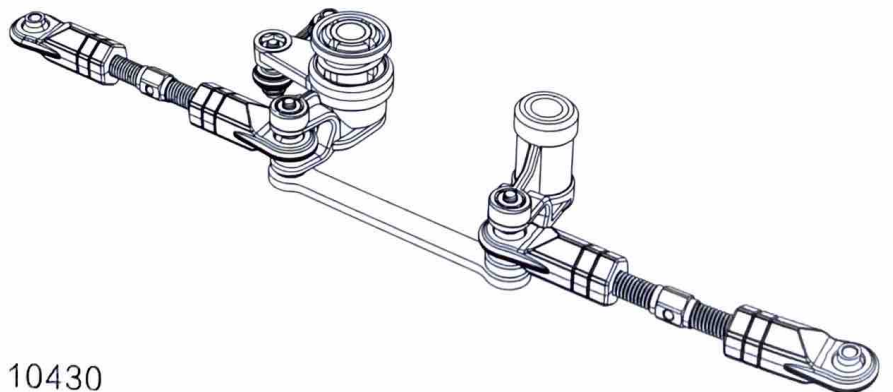
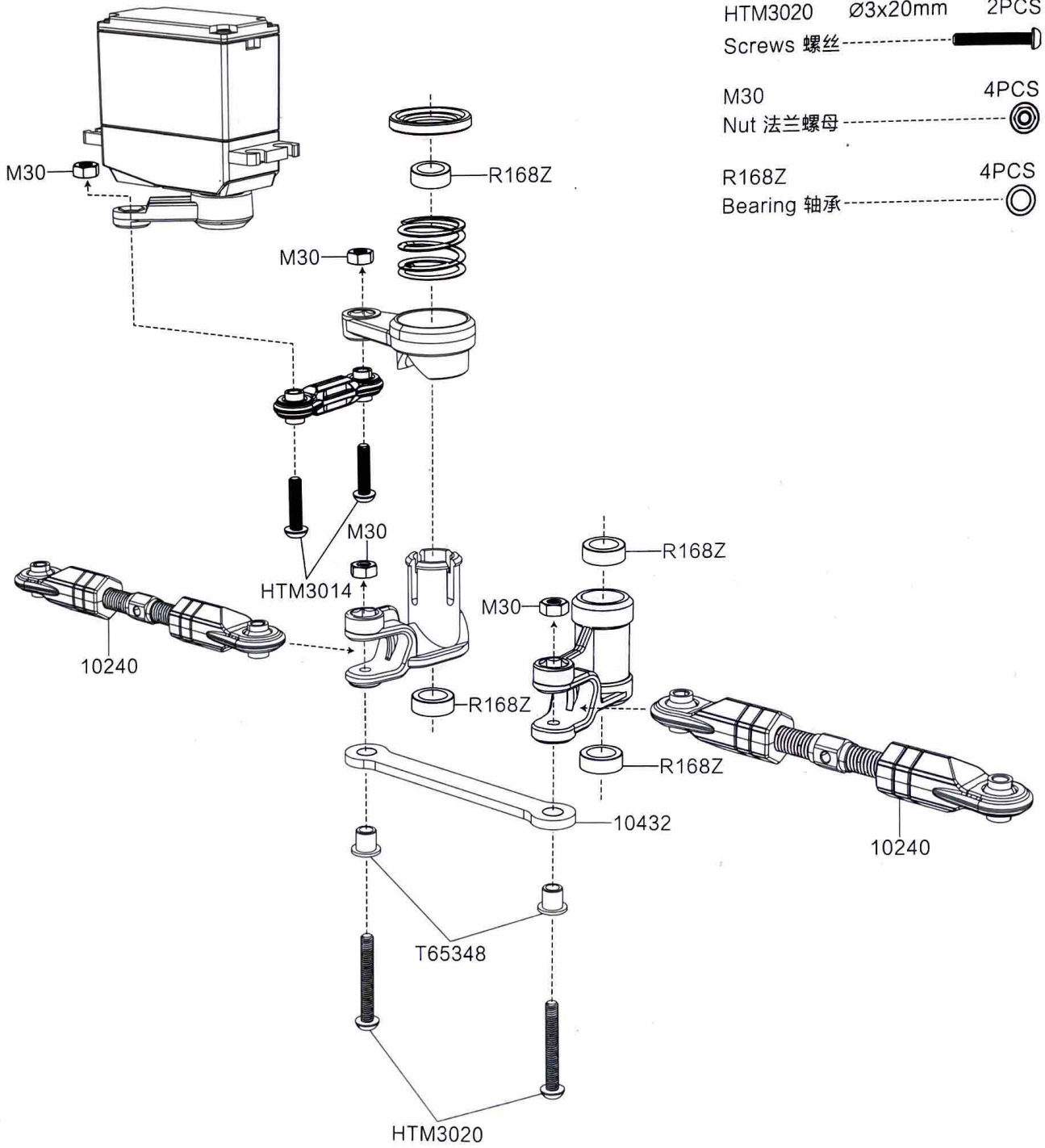
Screws 螺丝

M30 4PCS

Nut 法兰螺母

R168Z 4PCS

Bearing 轴承



10430

Center Differential 中央差速器

Screw 螺丝:

HKM3012 $\varnothing 3 \times 12 \text{mm}$ 4PCS

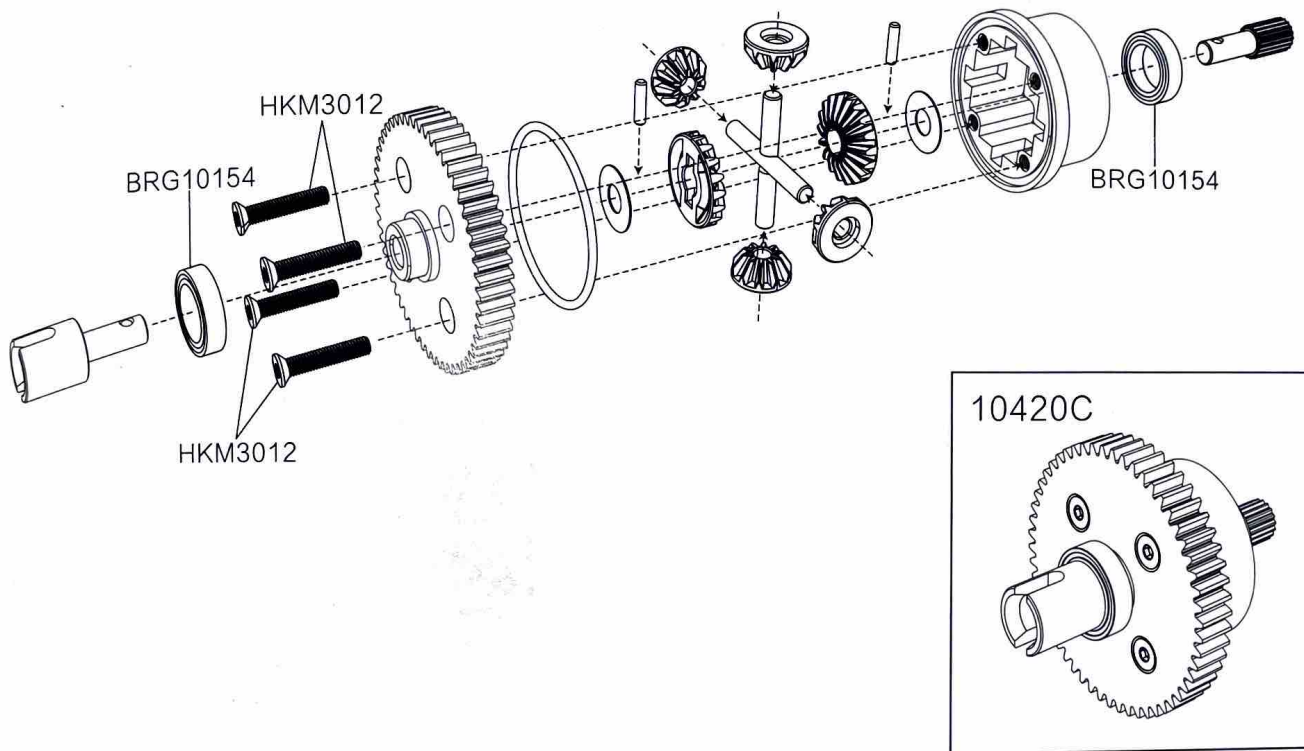
Screws 螺丝

BRG10154

Bearing

轴承

2PCS



Front/Rear Differential 前/后差速器

Screw 螺丝:

HTM3016 $\varnothing 3 \times 16 \text{mm}$ 4PCS

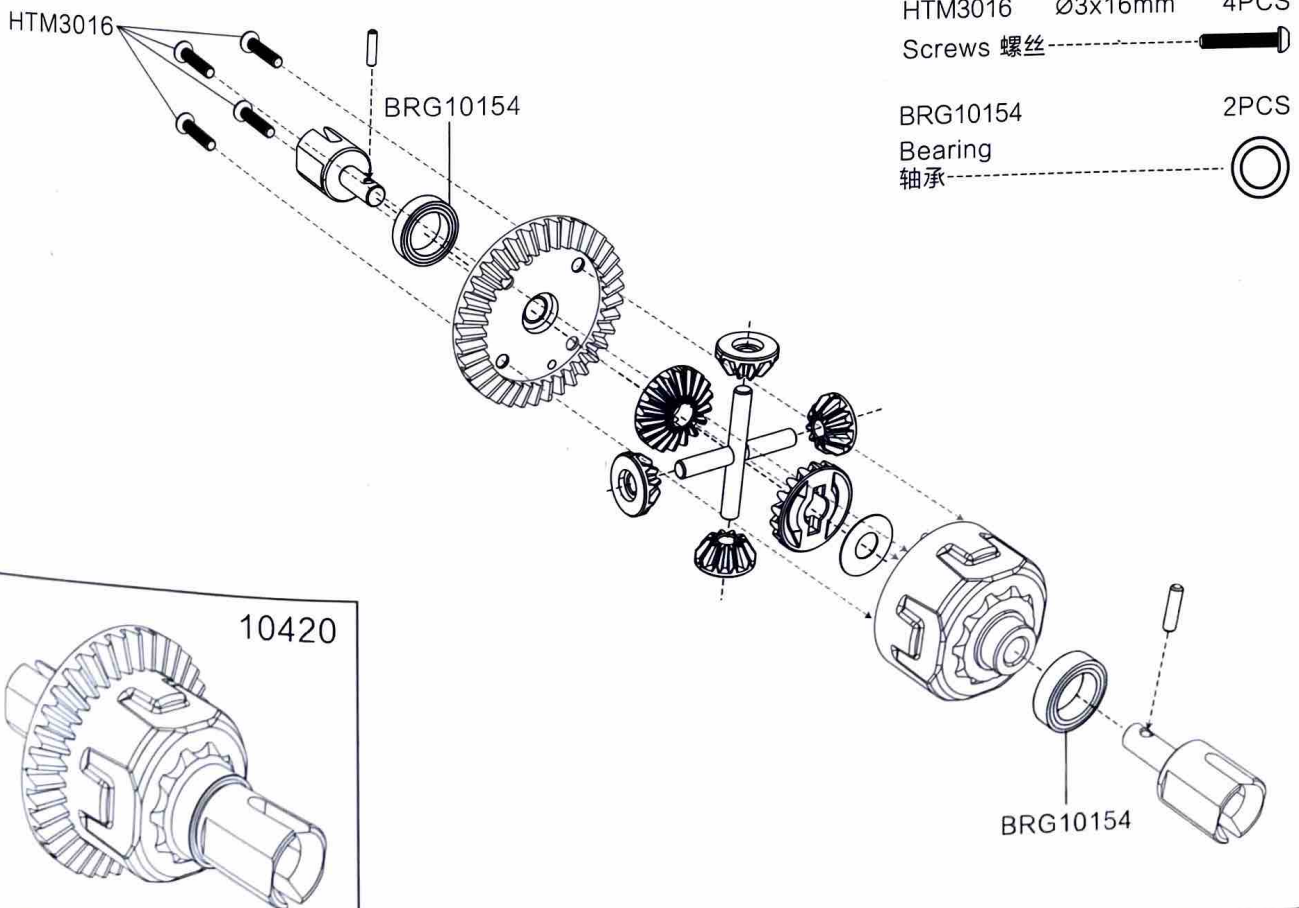
Screws 螺丝

BRG10154

Bearing

轴承


2PCS




Front Gearbox 前齿轮箱

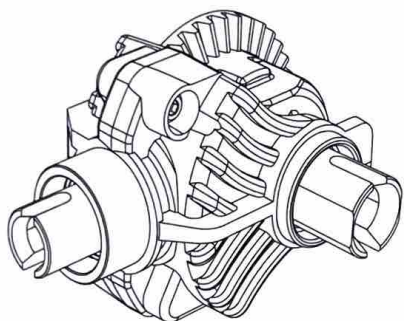
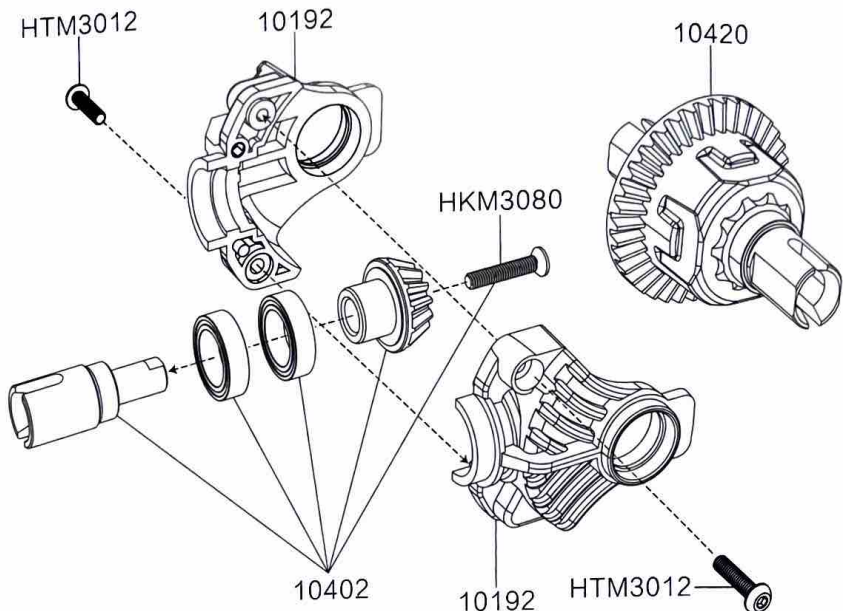
Screw 螺丝:

HTM3012 $\varnothing 3 \times 12 \text{mm}$ 2PCS

Screws 螺丝 

HKM3080 $\varnothing 3 \times 8 \text{mm}$ 1PCS

Screws 螺丝 

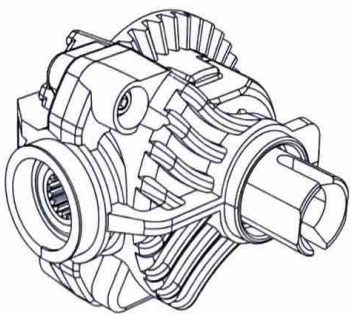
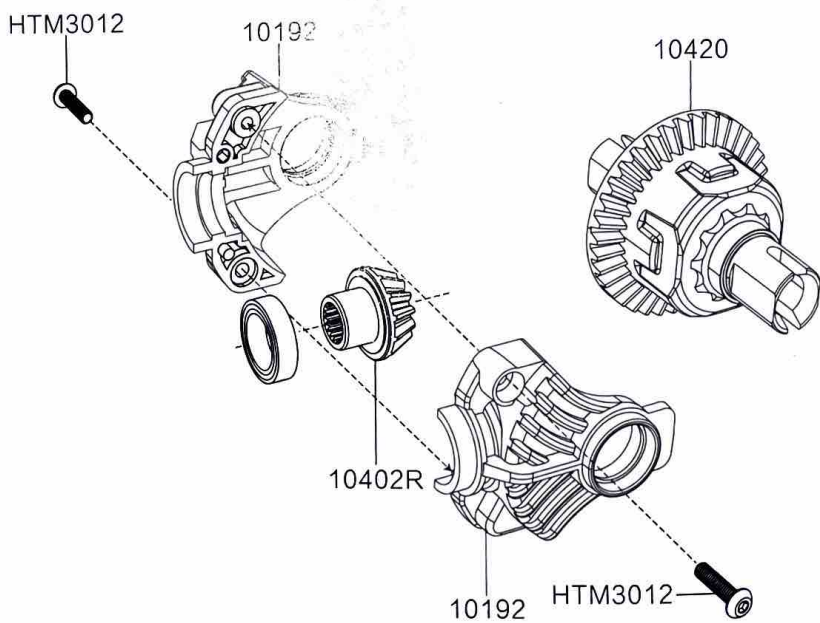


Rear Gearbox 后齿轮箱

Screw 螺丝:

HTM3012 $\varnothing 3 \times 12 \text{mm}$ 2PCS

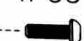
Screws 螺丝 

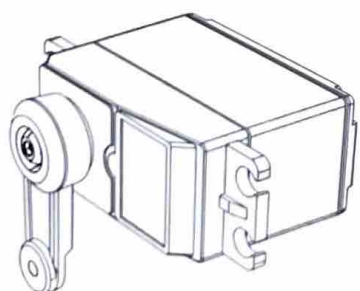
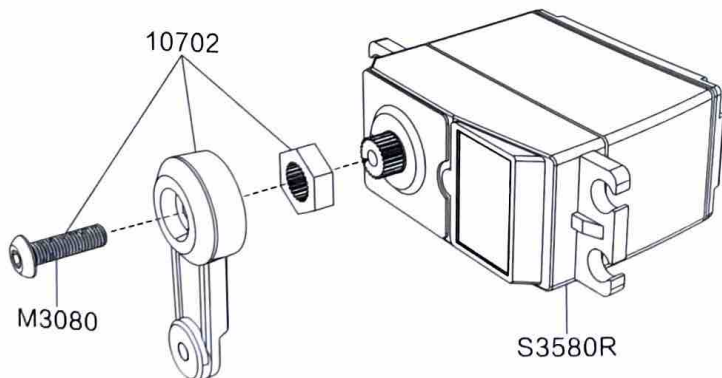


Servo Assembly 舵机组件

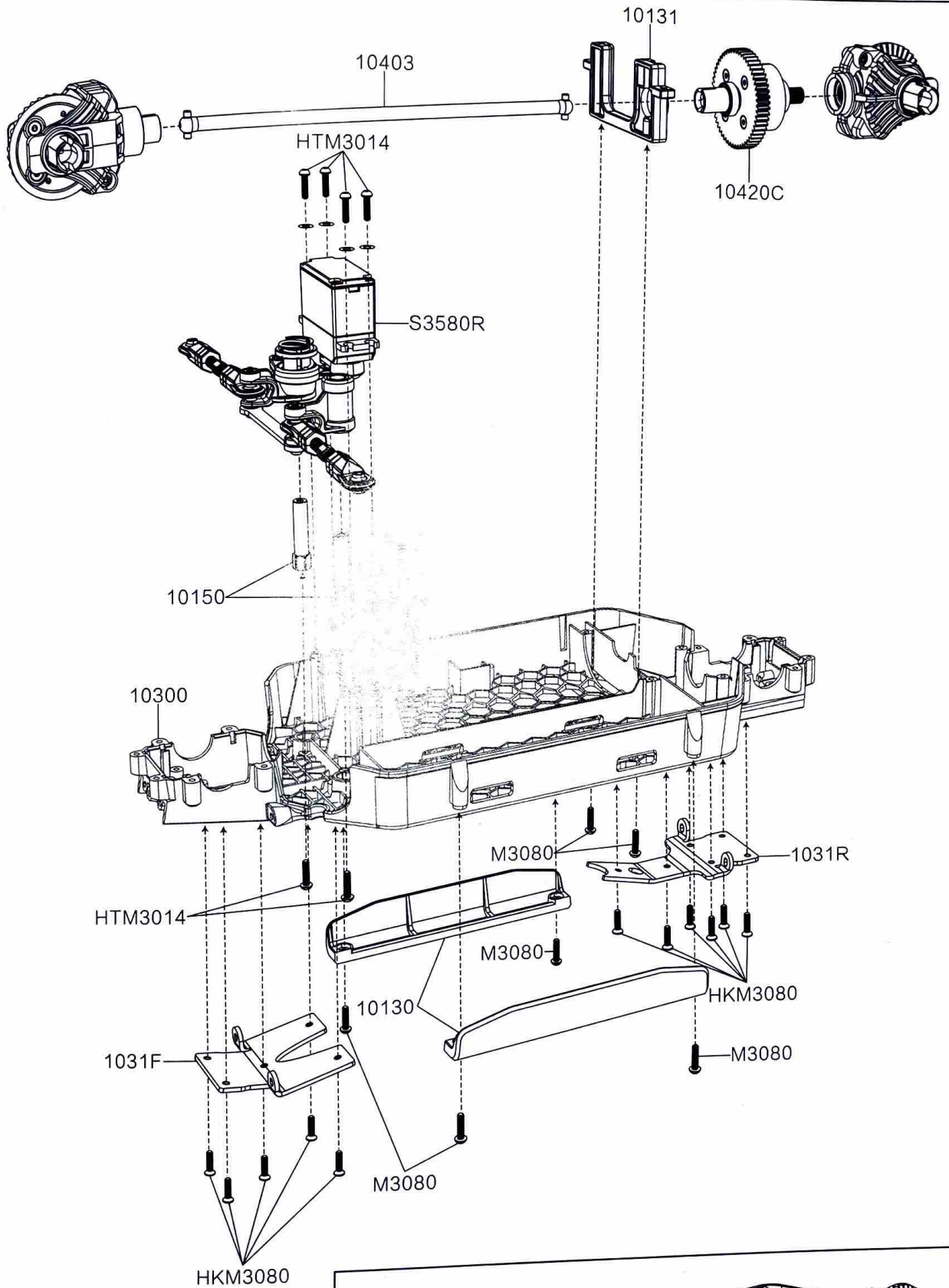
Screw 螺丝:

M3080 $\varnothing 3 \times 8 \text{mm}$ 1PCS

Screws 螺丝 




High Speed Car Assemble 高速车总装




Screw 螺丝:

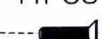
HTM3014 $\varnothing 3 \times 14 \text{mm}$ 6PCS

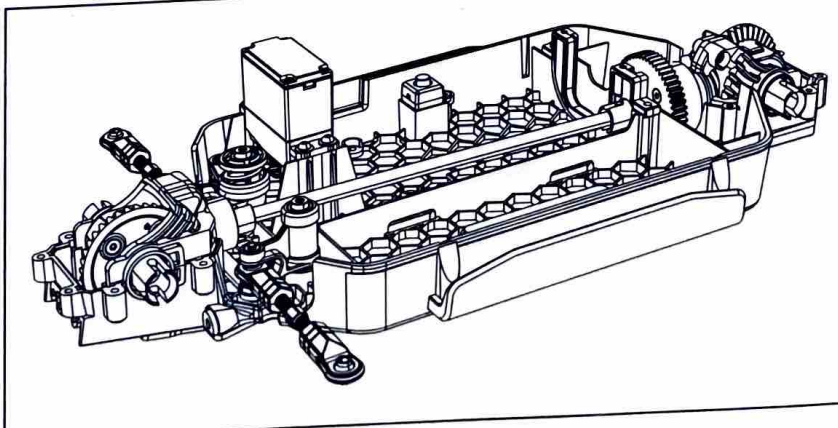
Screws 螺丝 

M3080 $\varnothing 3 \times 8 \text{mm}$ 6PCS

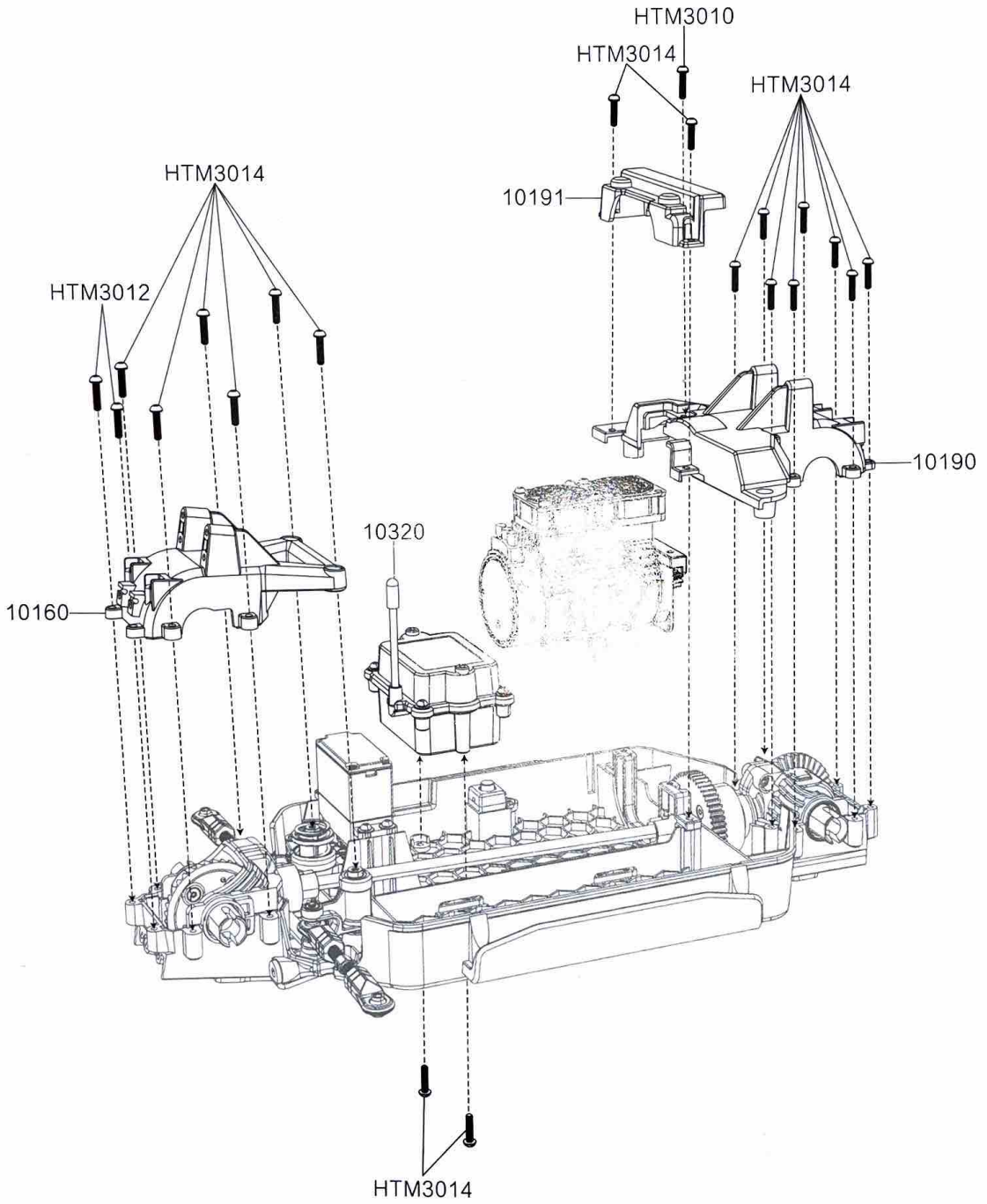
Screws 螺丝 

HKM3080 $\varnothing 3 \times 8 \text{mm}$ 11PCS

Screws 螺丝 



High Speed Car Assemble 高速车总装



Screw 螺丝:

HTM3014 $\varnothing 3 \times 14 \text{mm}$ 18PCS

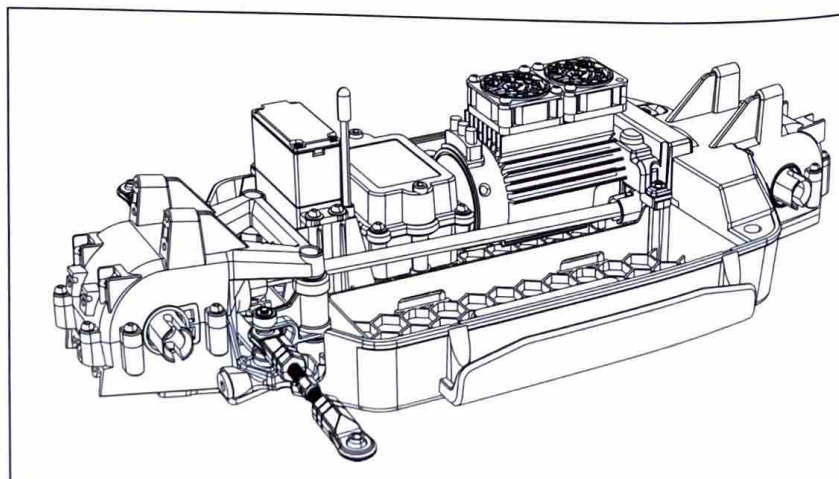
Screws 螺丝 ----- 

HTM3012 $\varnothing 3 \times 12 \text{mm}$ 2PCS

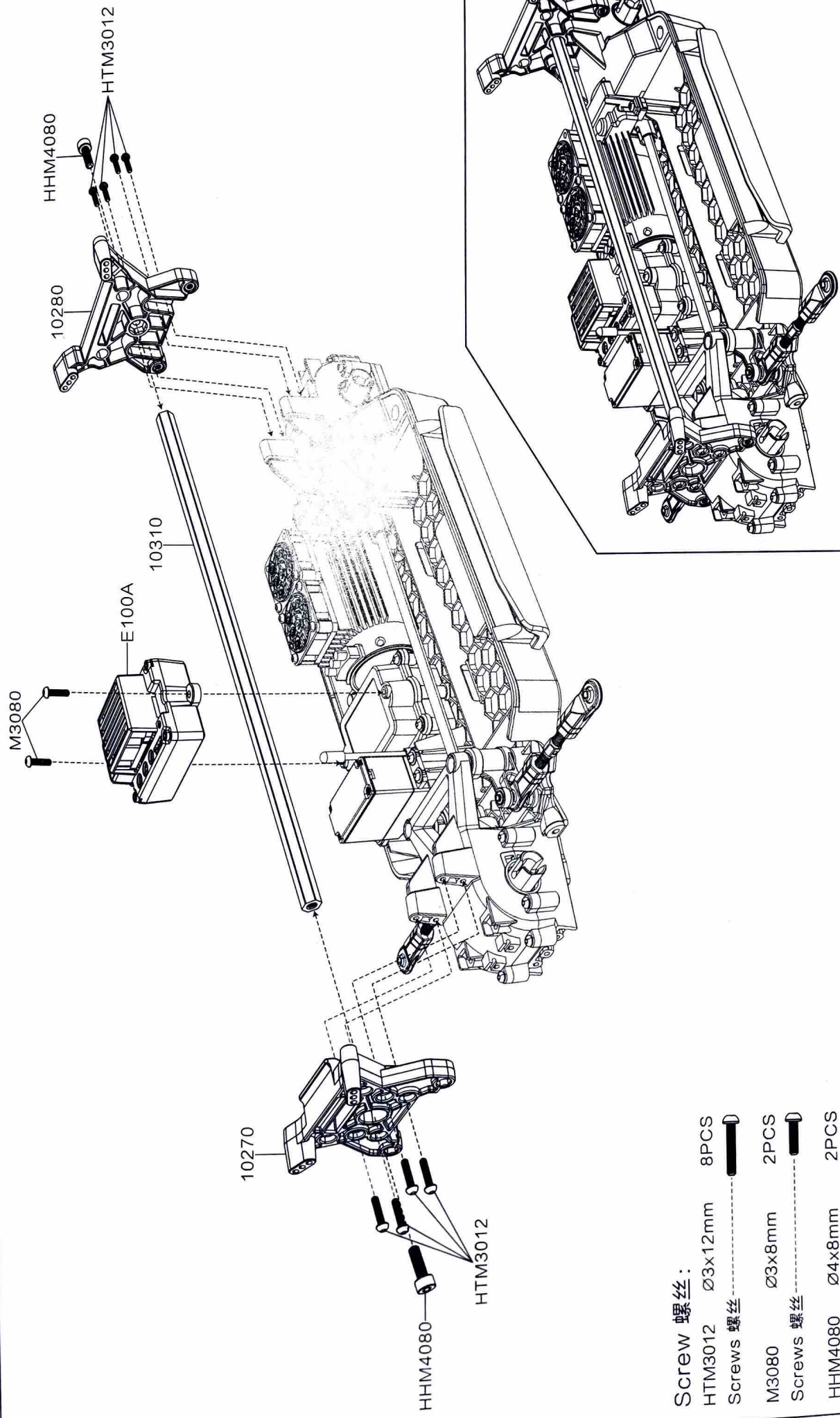
Screws 螺丝 ----- 




HTM3010 $\varnothing 3 \times 10 \text{mm}$ 1PCS

Screws 螺丝 ----- 



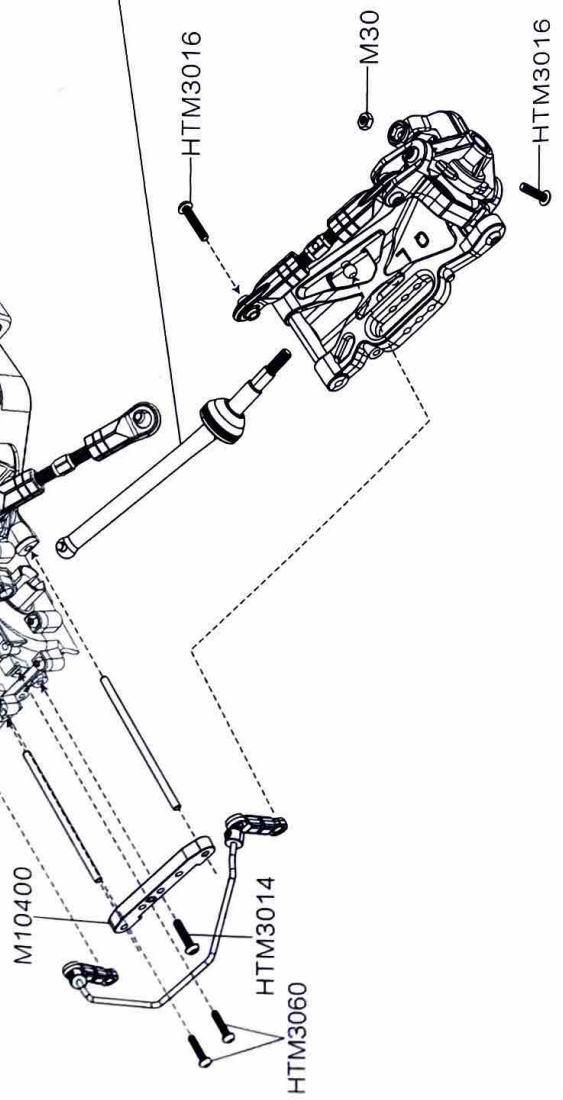
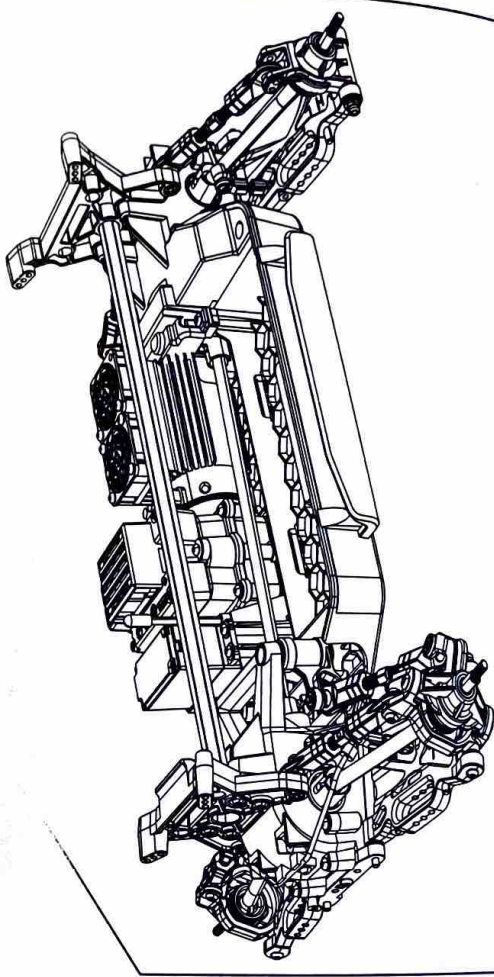
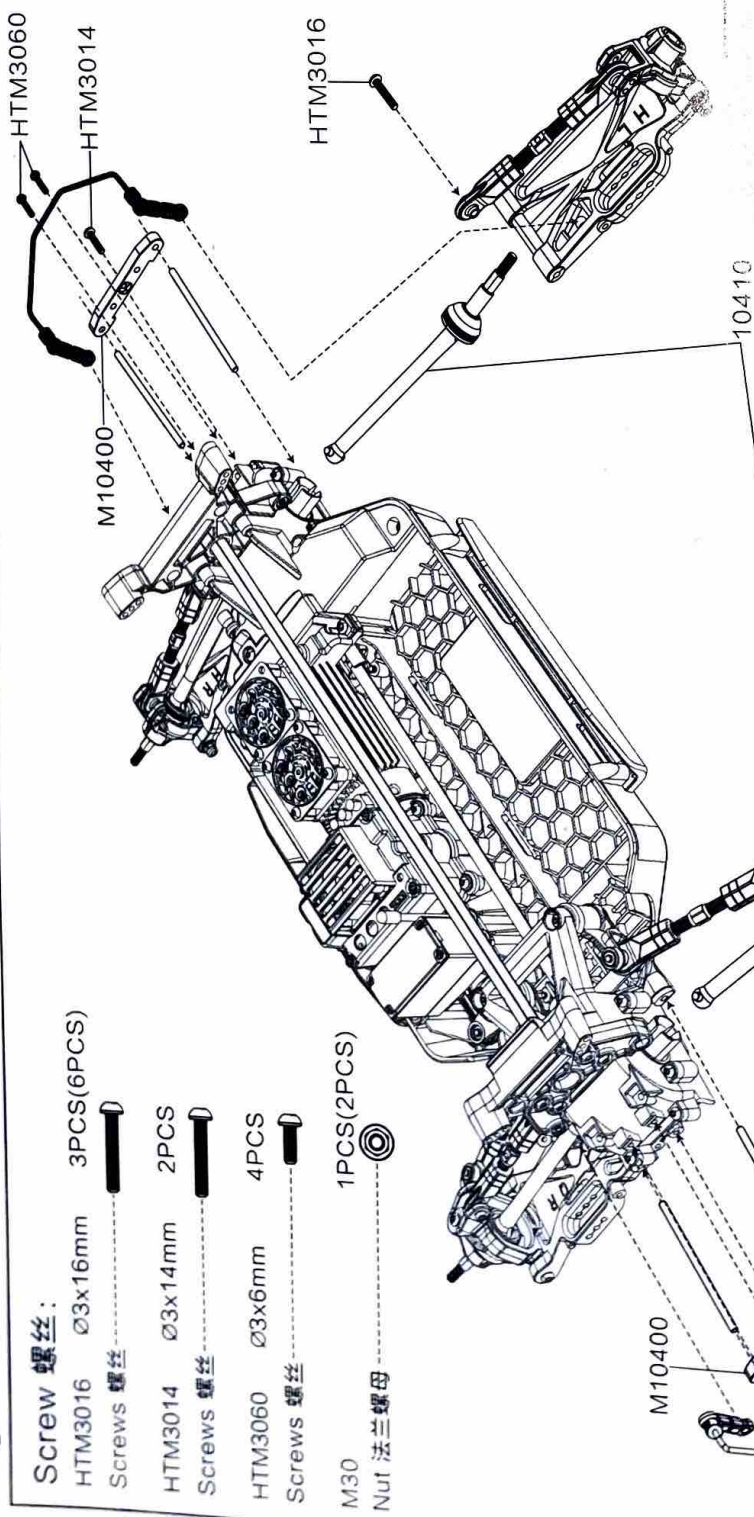
High Speed Car Assemble 高速车总装



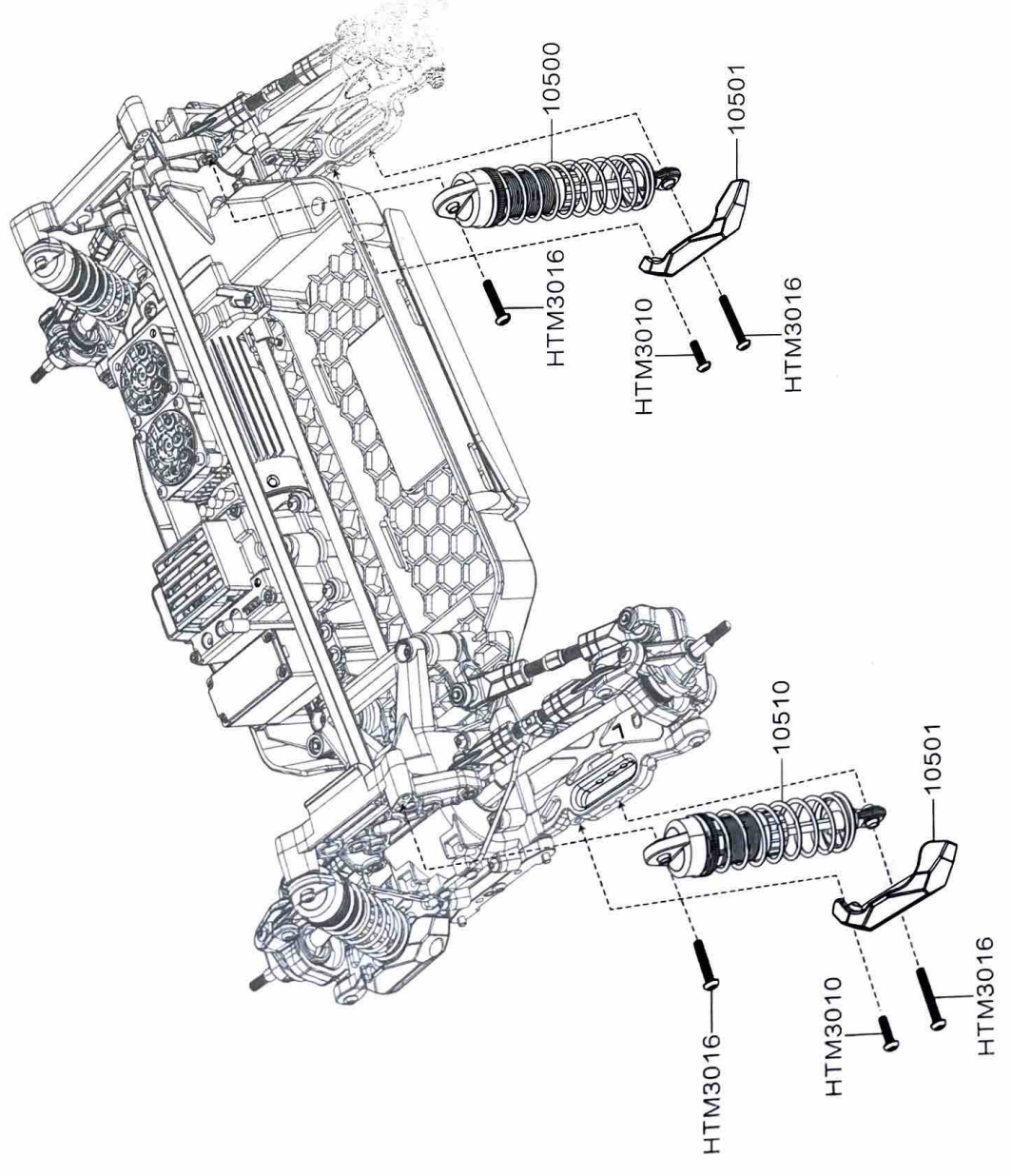
- Screw 螺丝:
- | | | | |
|-----------|---------|------|---|
| HTM3012 | Ø3x12mm | 8PCS |  |
| Screws 螺丝 | | | |
| M3080 | Ø3x8mm | 2PCS |  |
| Screws 螺丝 | | | |
| HHM4080 | Ø4x8mm | 2PCS |  |
| Screws 螺丝 | | | |

High Speed Car Assemble 高速车总装

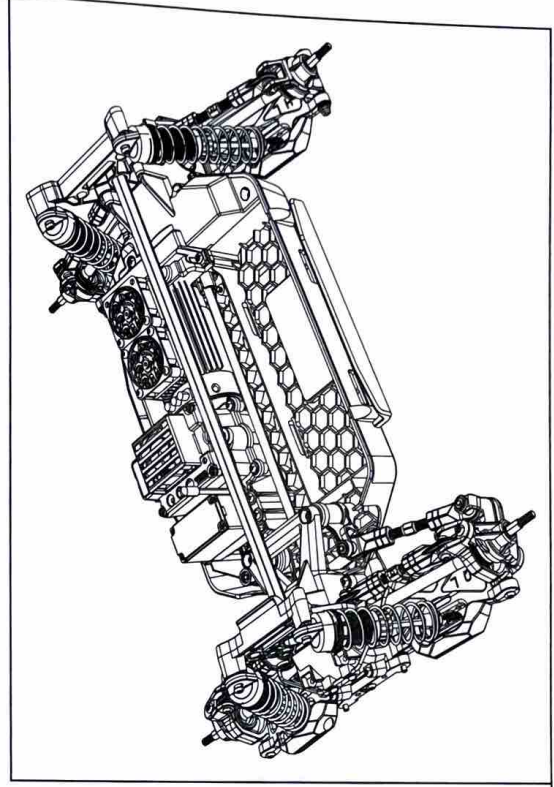
- Screw 螺丝: 3PCS(6PCS)
- HTM3016 $\varnothing 3 \times 16 \text{mm}$
- Screws 螺丝
- HTM3014 $\varnothing 3 \times 14 \text{mm}$ 2PCS
- Screws 螺丝
- HTM3060 $\varnothing 3 \times 6 \text{mm}$ 4PCS
- Screws 螺丝
- M30 1PCS(2PCS)
- Nuf 法兰螺母



High Speed Car Assemble 高速车总装



- Screw 螺丝:
- HTM3016 $\varnothing 3 \times 16 \text{mm}$ 4PCS
 - Screws 螺丝
 - HTM3010 $\varnothing 3 \times 10 \text{mm}$ 2PCS
 - Screws 螺丝



High Speed Car Assemble 高速车总装

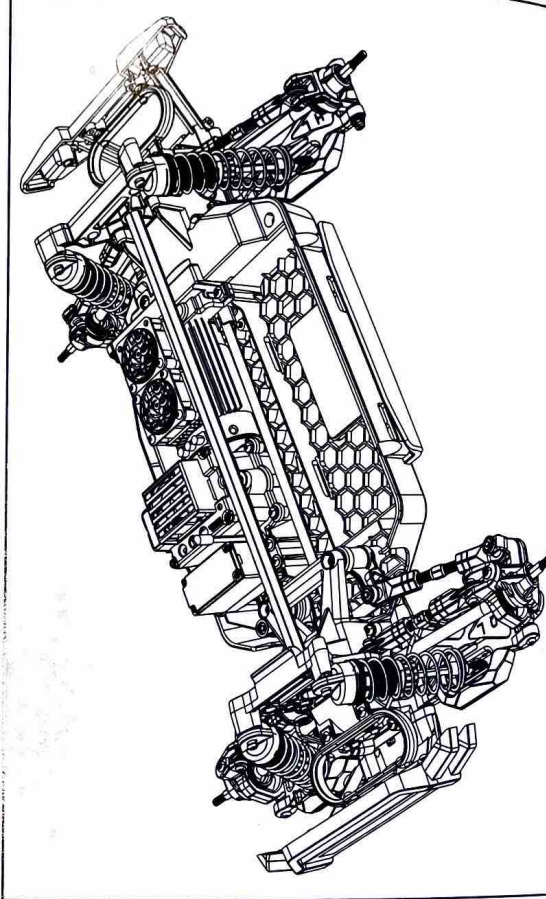
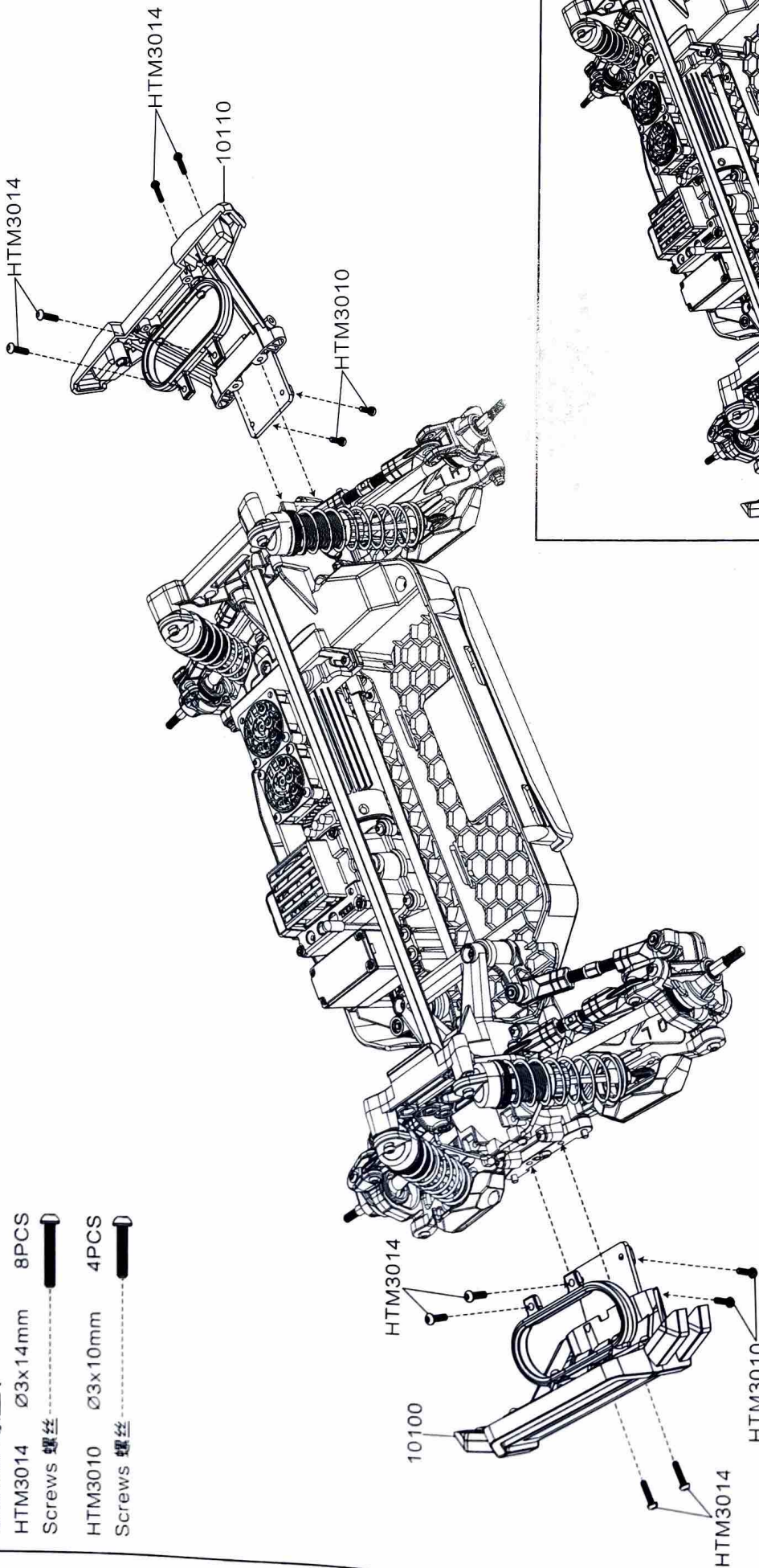
Screw 螺丝:

HTM3014 $\varnothing 3 \times 14 \text{mm}$ 8PCS

Screws 螺丝

HTM3010 $\varnothing 3 \times 10 \text{mm}$ 4PCS

Screws 螺丝



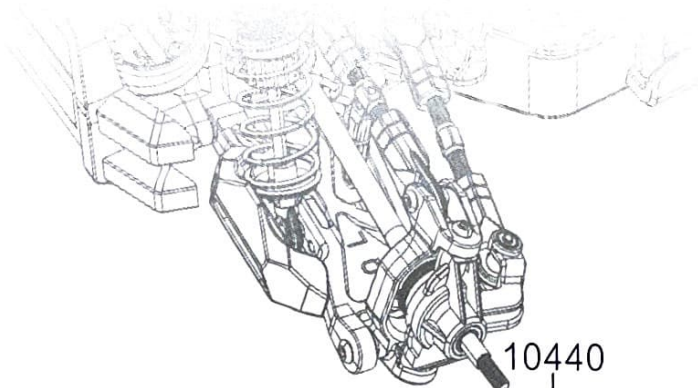
High Speed Car Assemble 高速车总装

Nut 螺母:

M40 1PCS (4PCS)

M4 Wheel lock nut

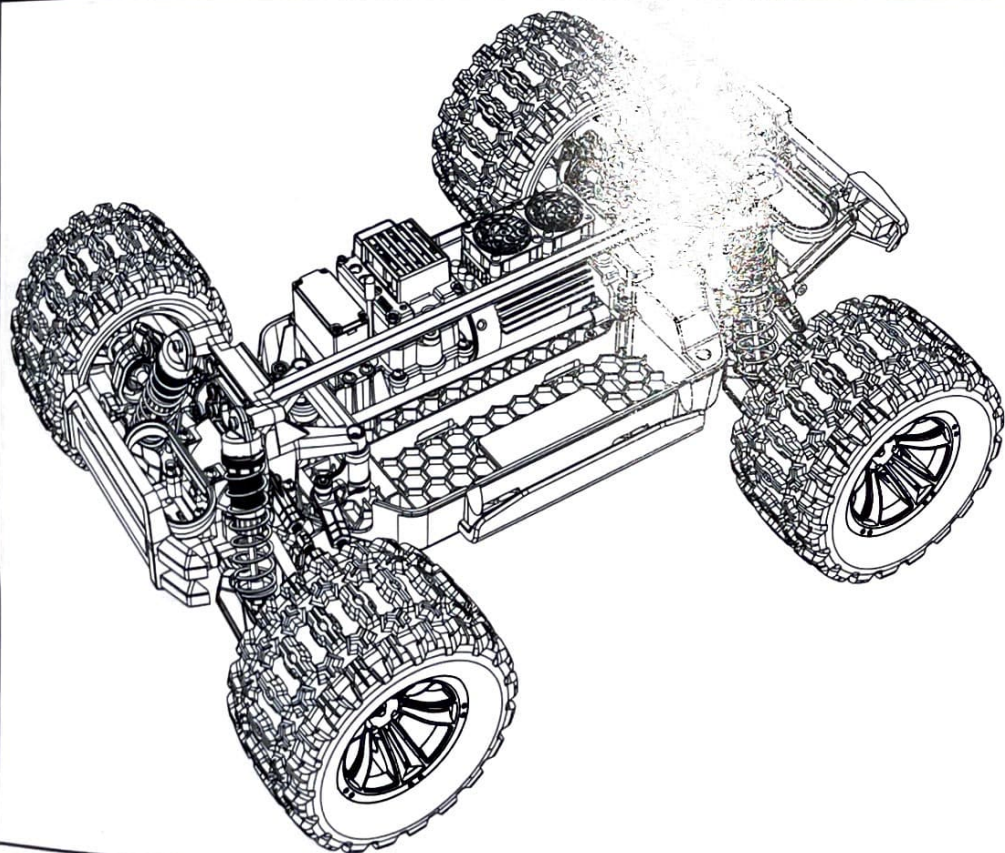
M4螺母



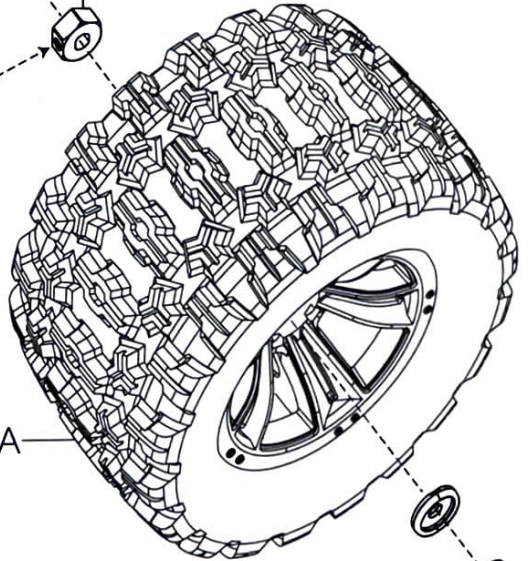
10440



10440



1015A



M40